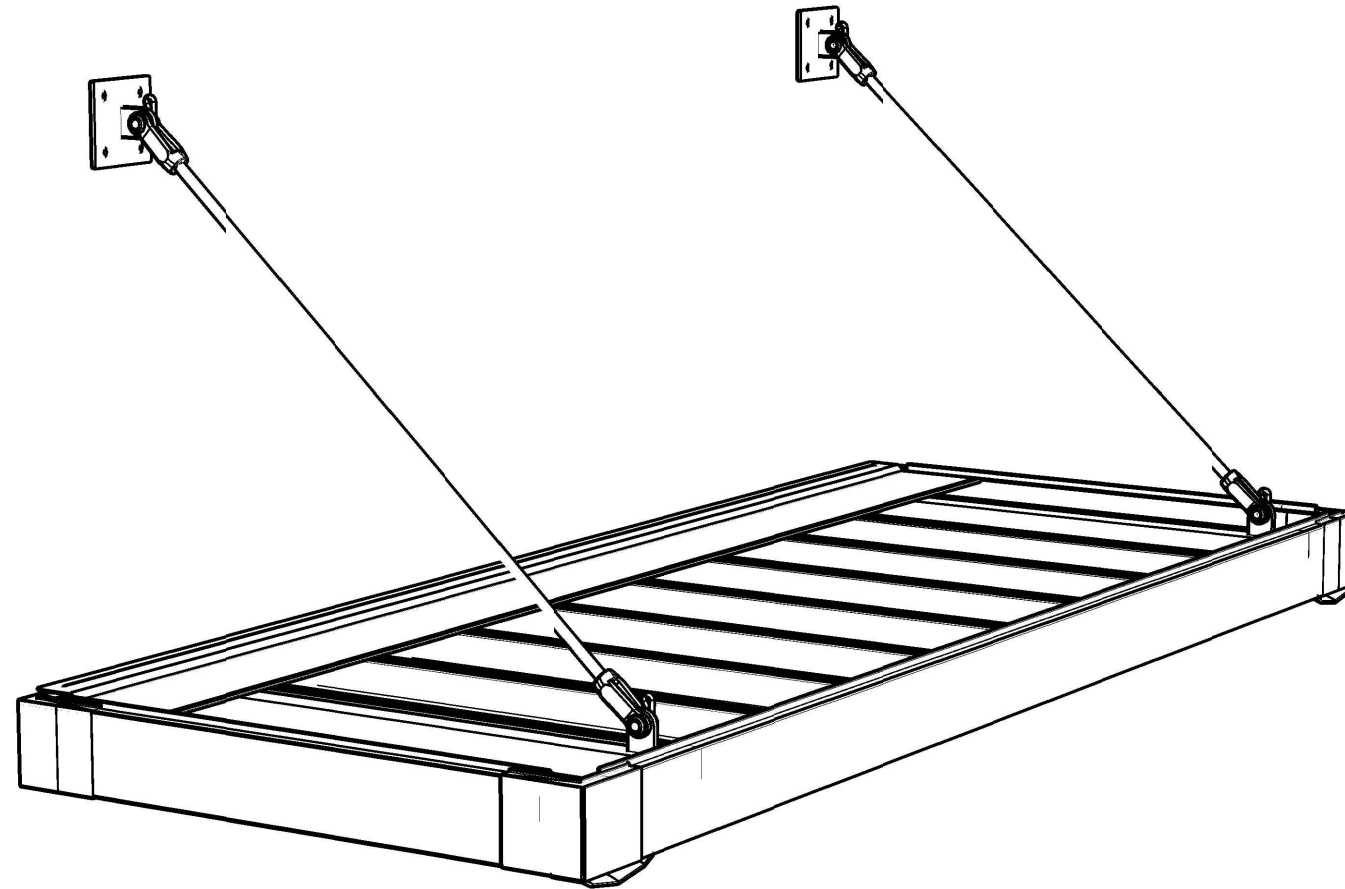


# VAI-6P

QTY:  
10'-0" X 4'-0"



JOB NO:

SALES:

**SHEET DESCRIPTION**

3D CONCEPTUAL VIEW

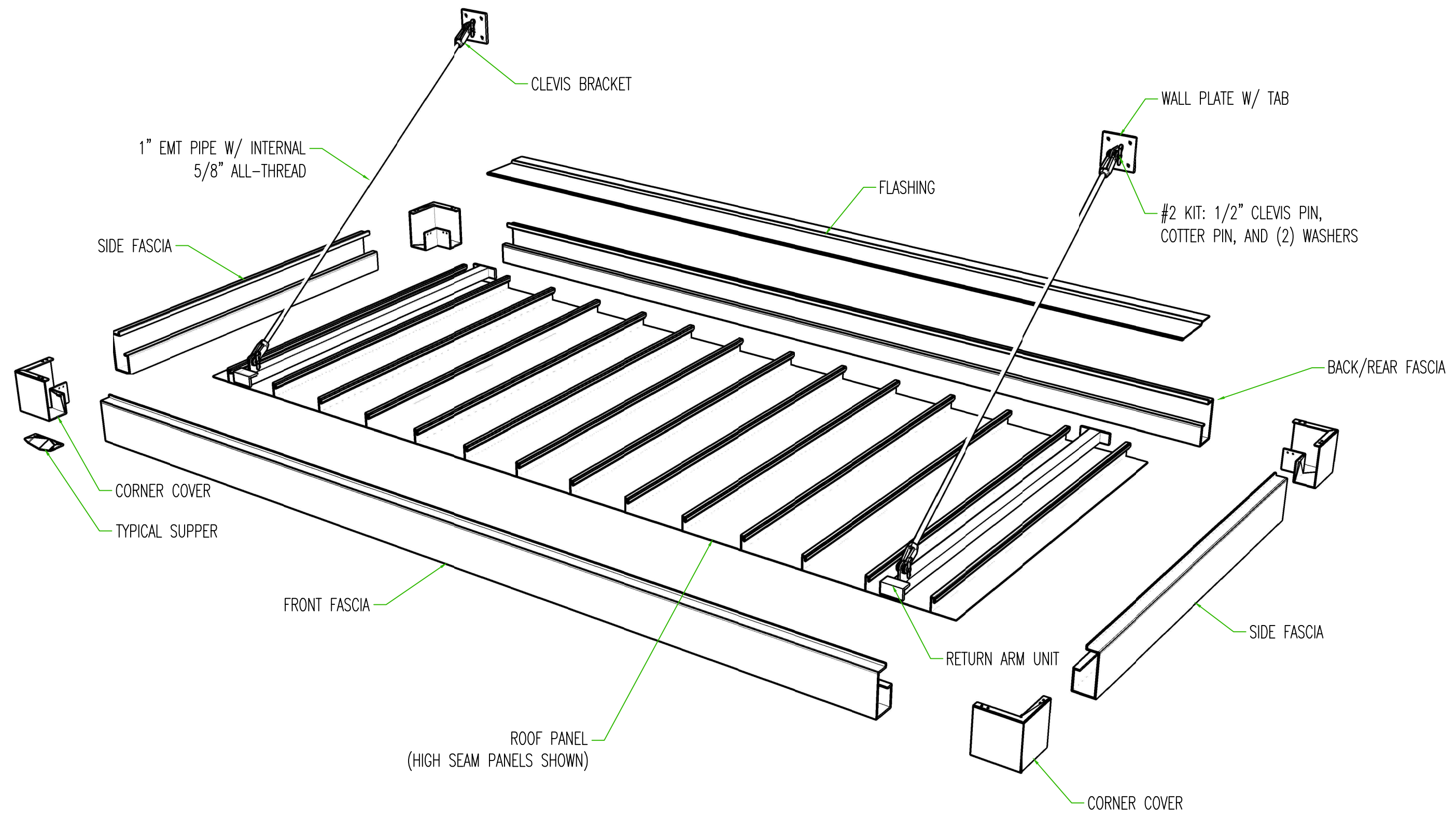
DATE:

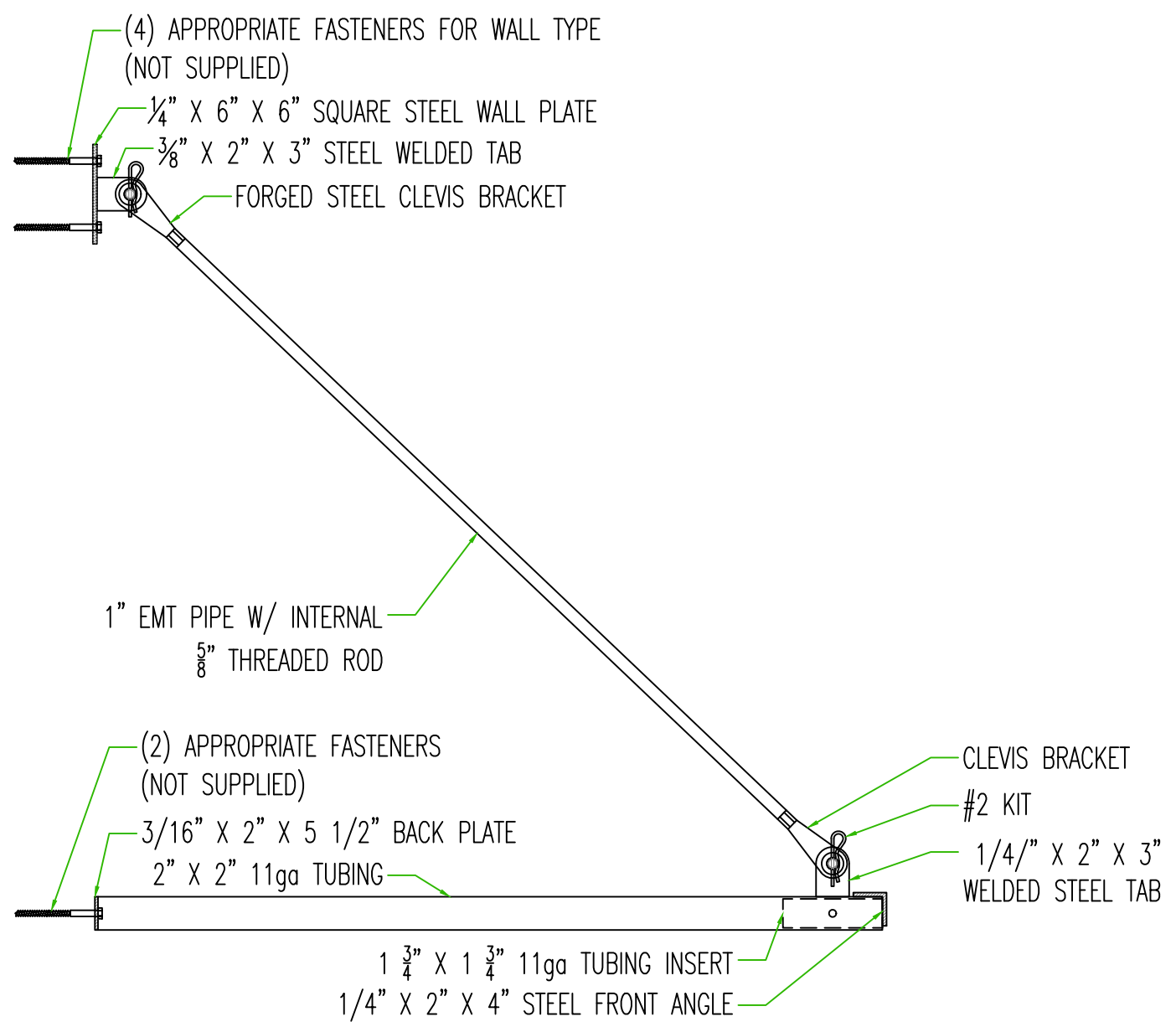
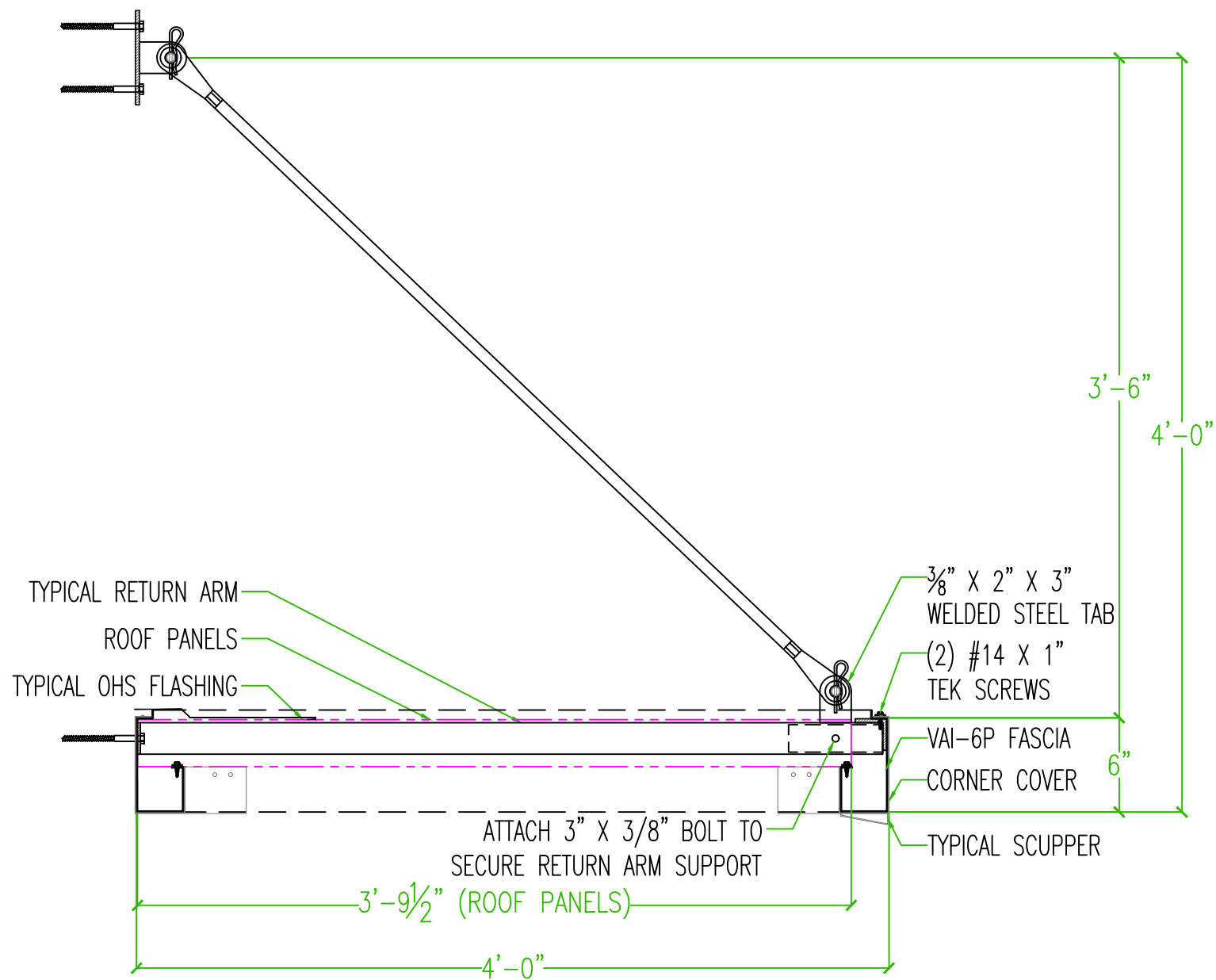
DRAWN:

**SHEET NUMBER**

**1**

SHEET: 1 OF 8 SHEETS





**1** SIDE VIEW  
SCALE: NTS

**2** HANGER ROD ASSEMBLY  
SCALE: NTS

SHEET DESCRIPTION

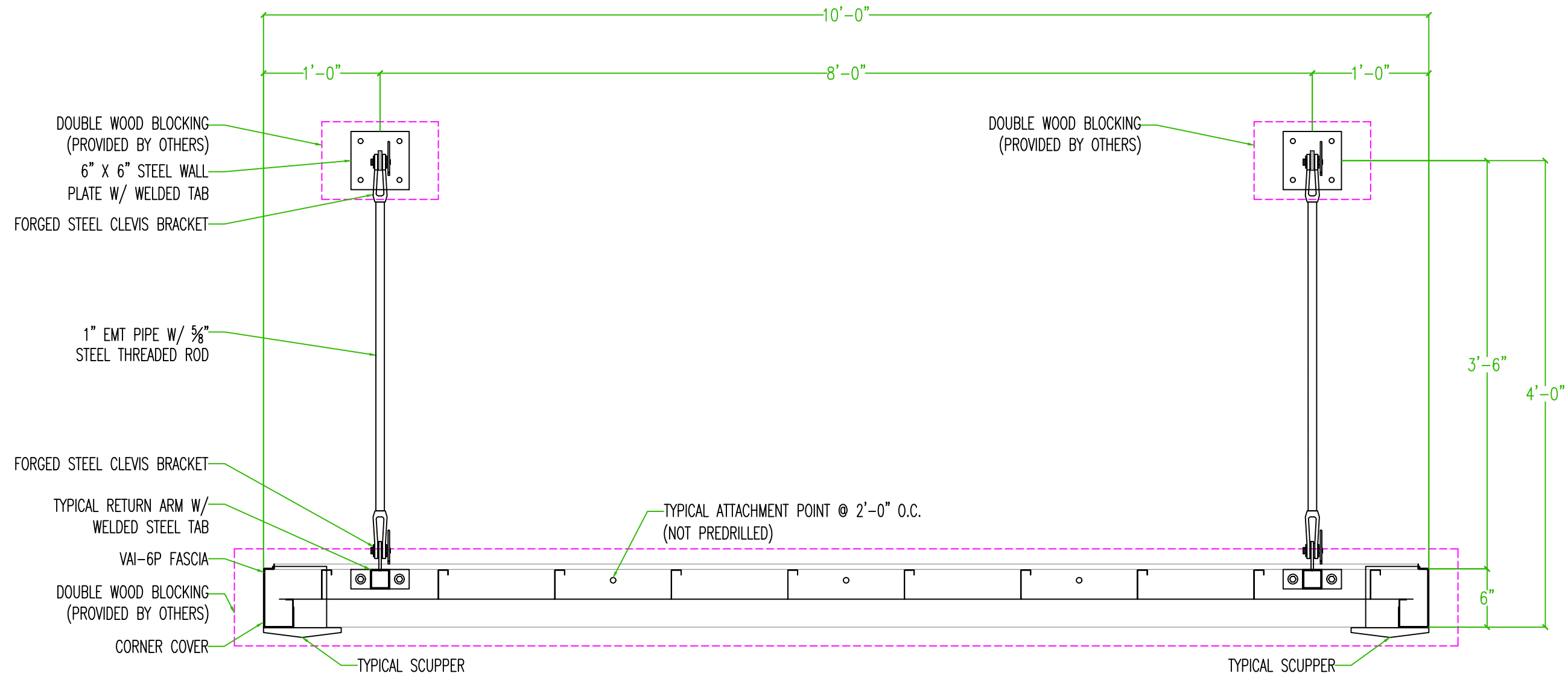
SIDE VIEW

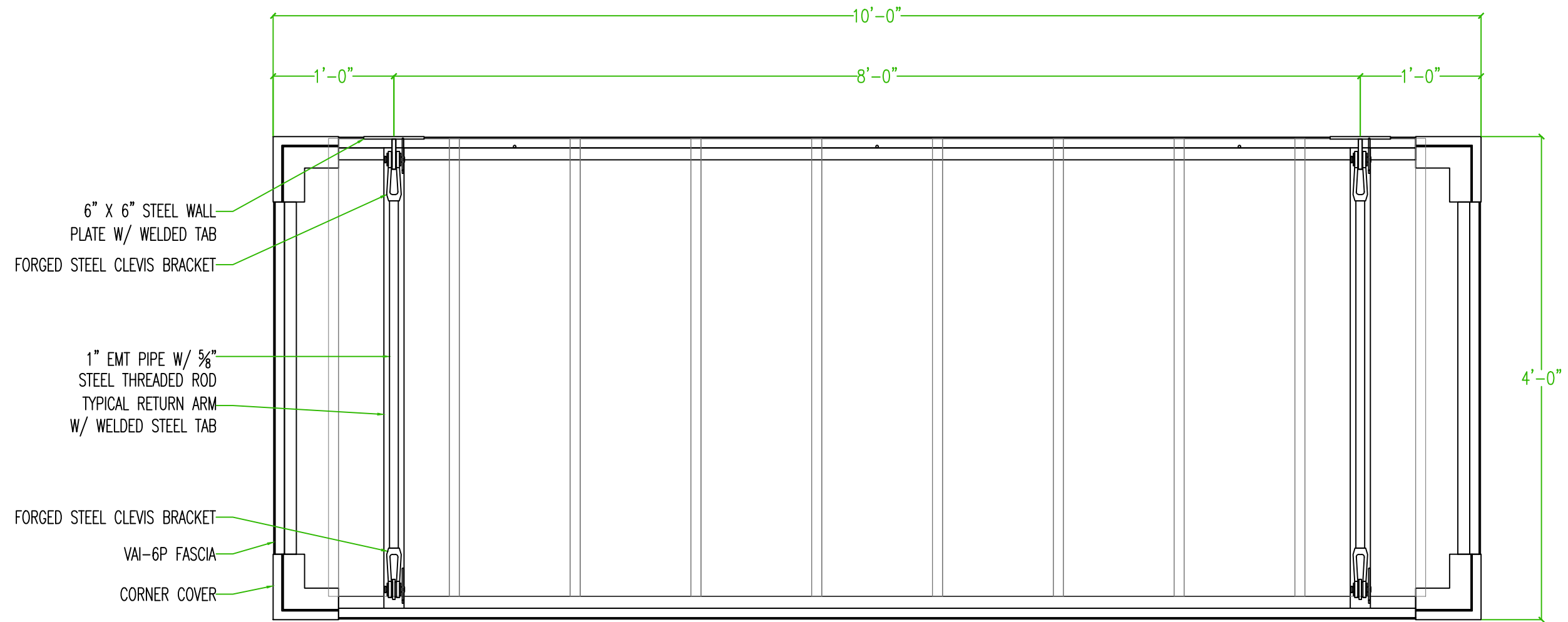
DATE:

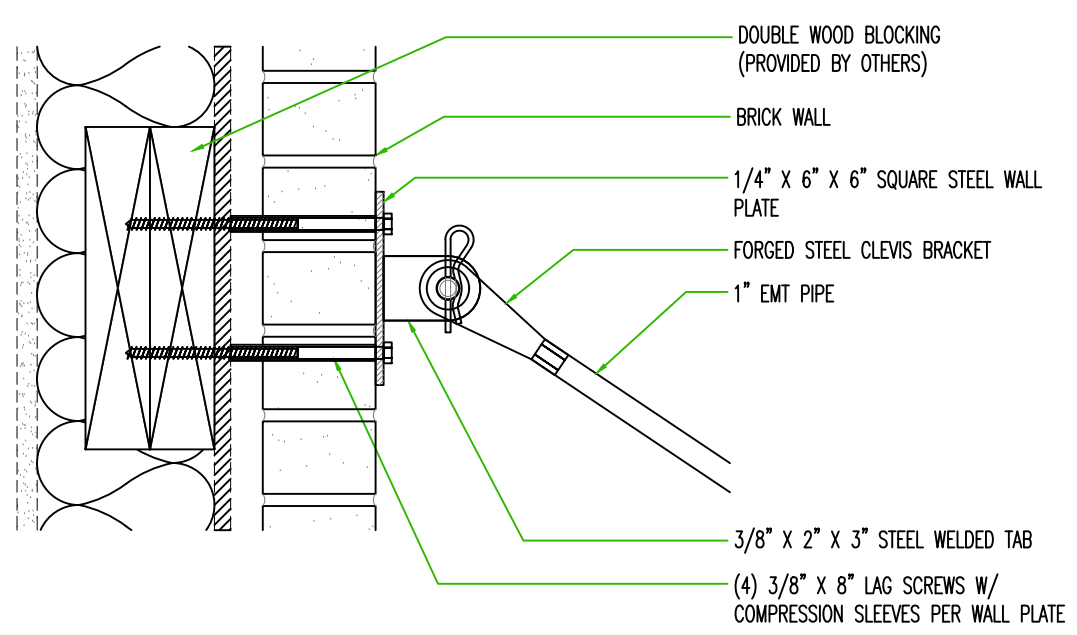
DRAWN:

SHEET NUMBER

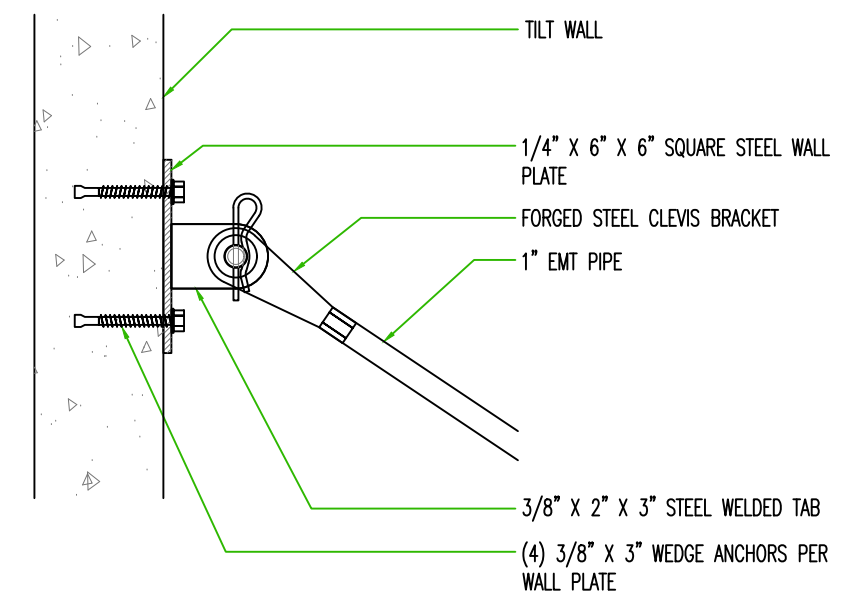
**3**



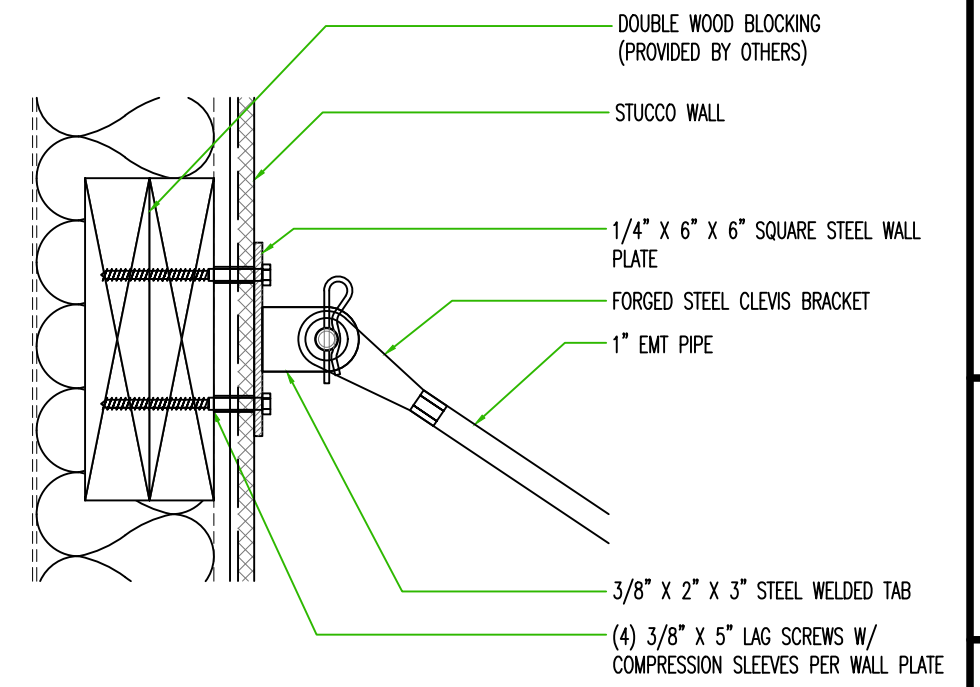




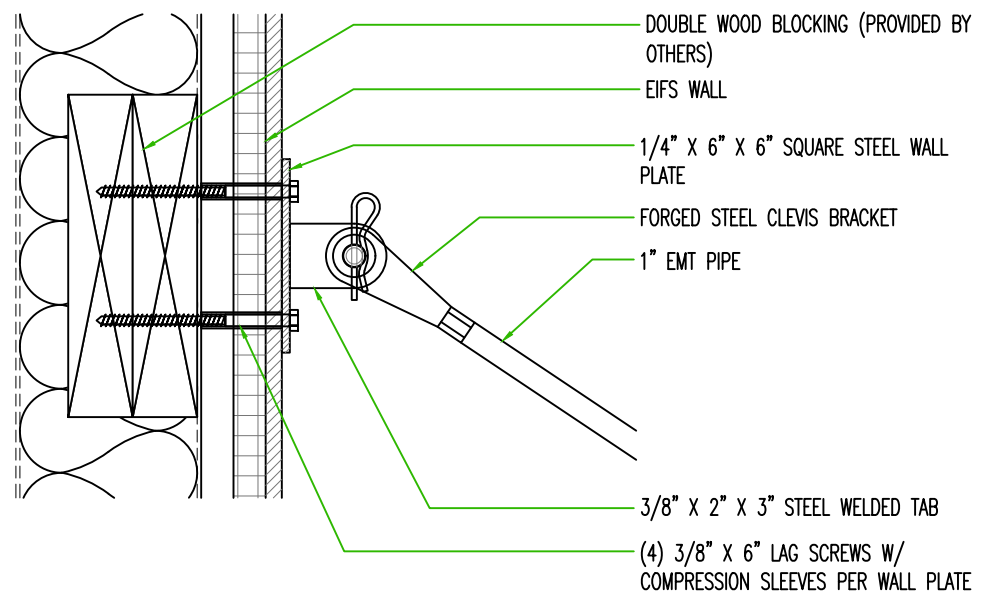
**A** UPPER ATTACHMENT DETAIL (BRICK WALL)  
SCALE: NTS



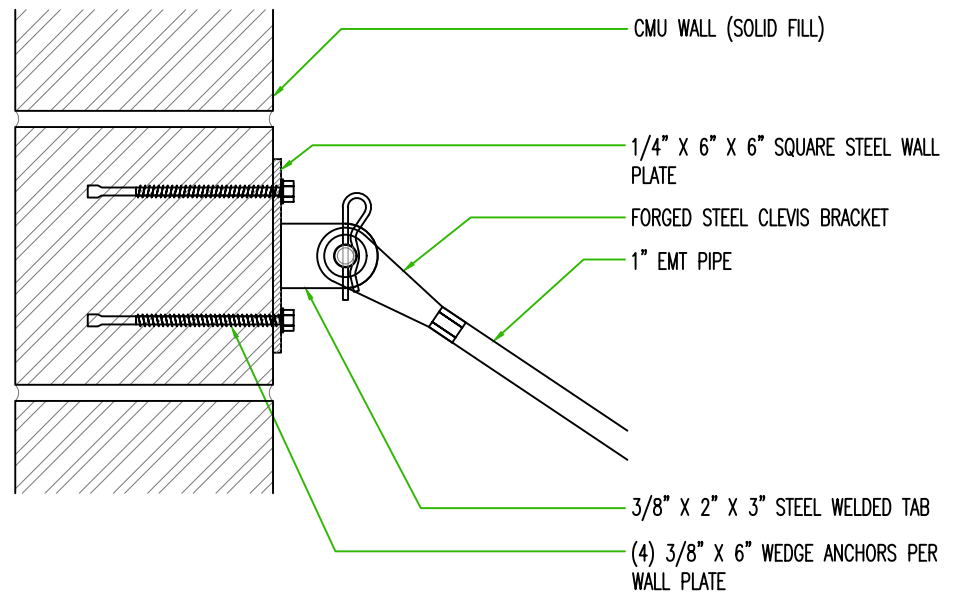
**A** UPPER ATTACHMENT DETAIL (TILT WALL)  
SCALE: NTS



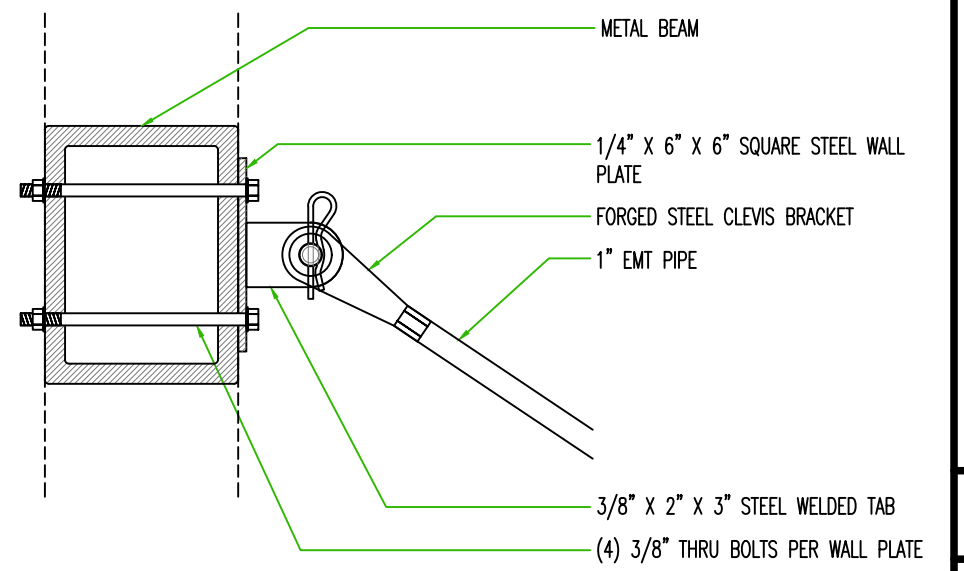
**A** UPPER ATTACHMENT DETAIL (STUCCO WALL)  
SCALE: NTS



**A** UPPER ATTACHMENT DETAIL (EIFS WALL)  
SCALE: NTS



**A** UPPER ATTACHMENT DETAIL (SOLID FILL CMU)  
SCALE: NTS



**A** UPPER ATTACHMENT DETAIL (METAL BEAM)  
SCALE: NTS

**SHEET DESCRIPTION**

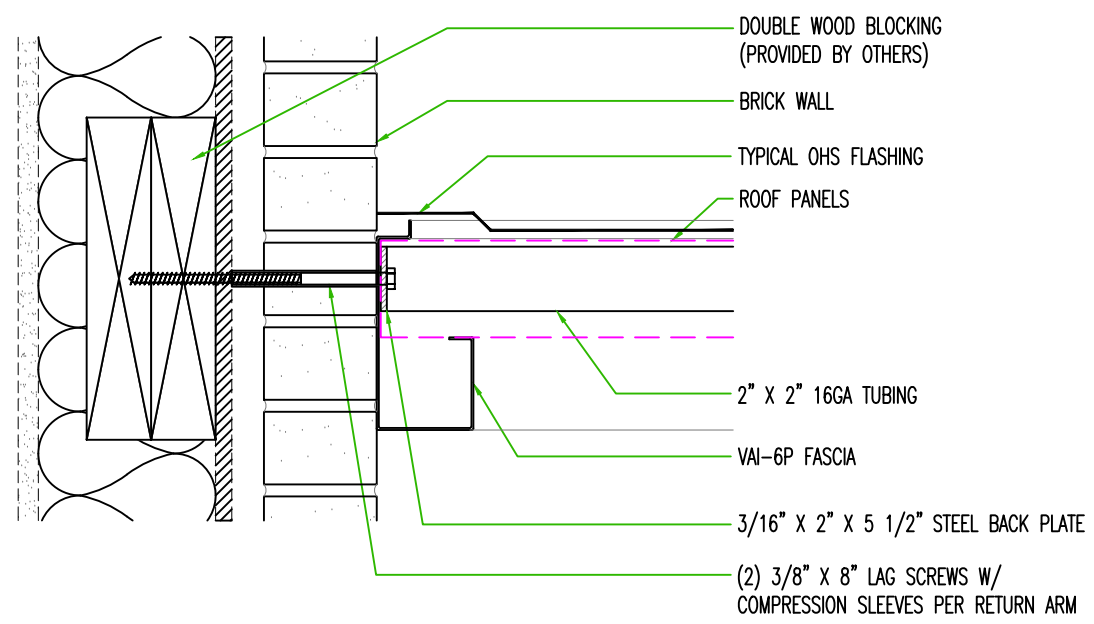
ATTACHMENT DETAILS

DATE:

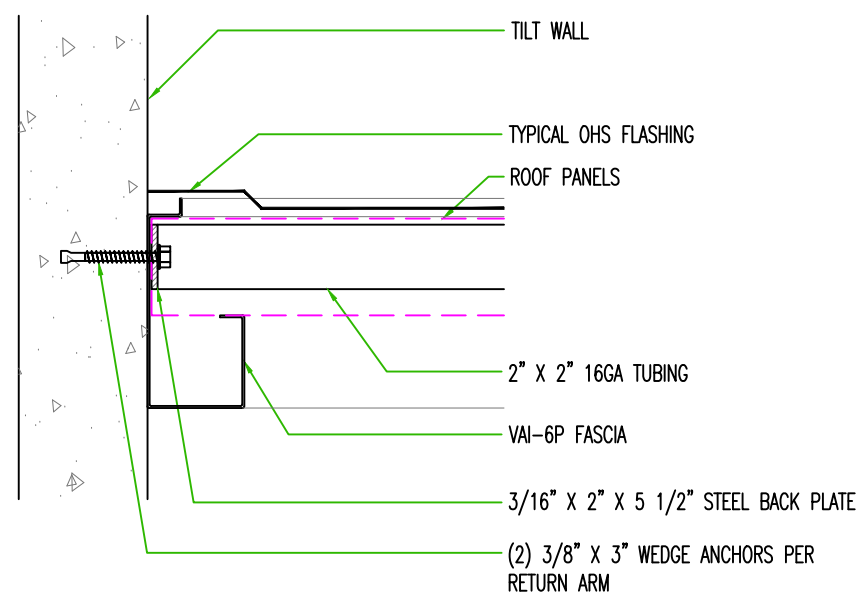
DRAWN:

**SHEET NUMBER**

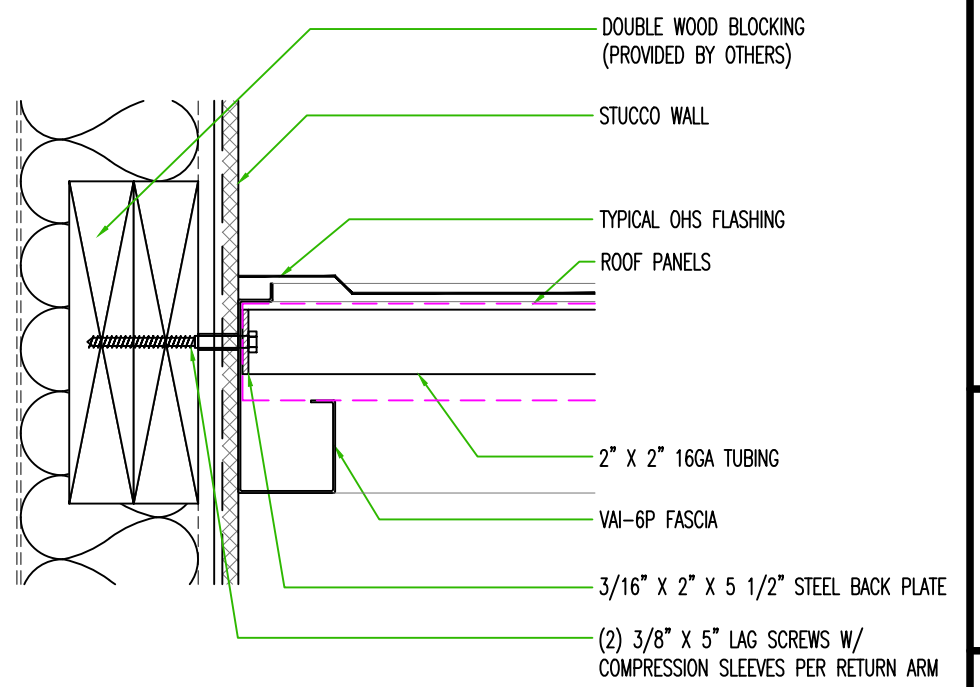
**6**



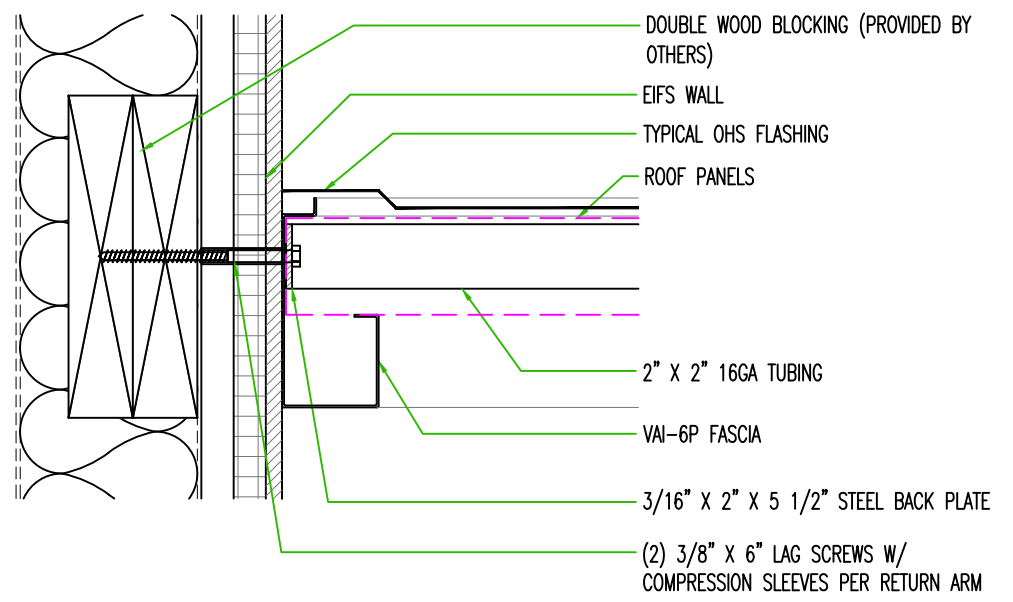
**B** LOWER ATTACHMENT DETAIL (BRICK WALL)  
SCALE: NTS



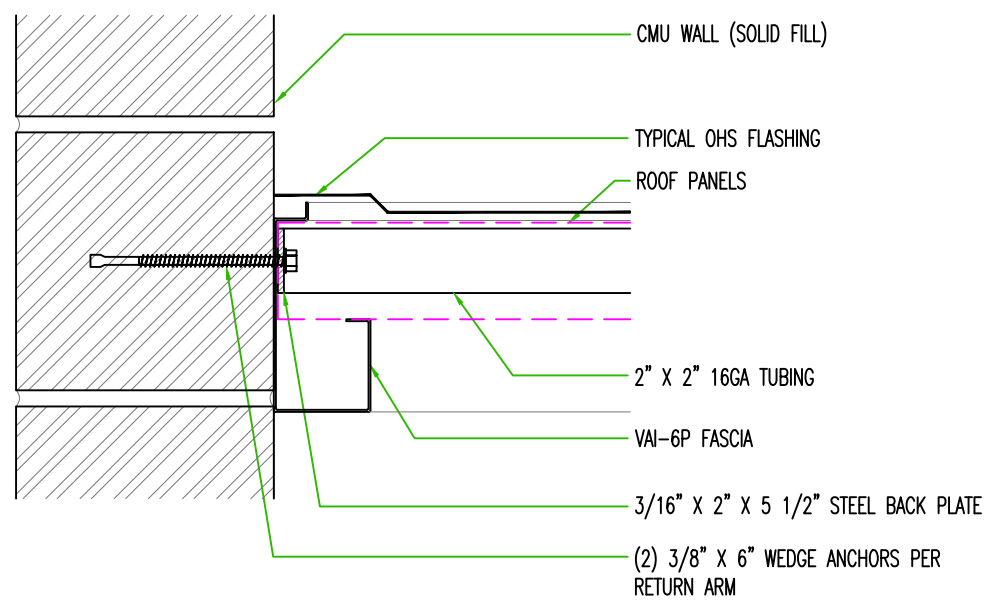
**B** LOWER ATTACHMENT DETAIL (TILT WALL)  
SCALE: NTS



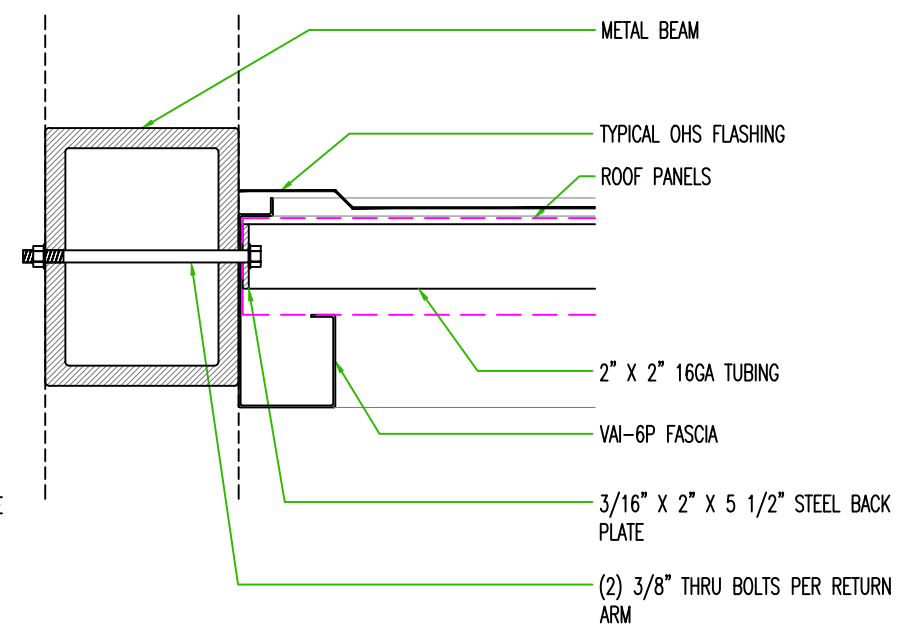
**B** LOWER ATTACHMENT DETAIL (STUCCO WALL)  
SCALE: NTS



**B** LOWER ATTACHMENT DETAIL (EIFS WALL)  
SCALE: NTS



**B** LOWER ATTACHMENT DETAIL (SOLID FILL CMU)  
SCALE: NTS



**B** LOWER ATTACHMENT DETAIL (METAL BEAM)  
SCALE: NTS

SHEET DESCRIPTION

ATTACHMENT DETAILS

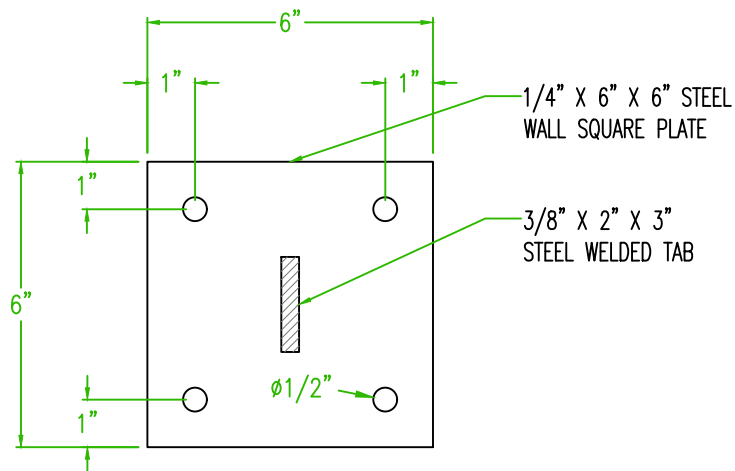
DATE:

DRAWN:

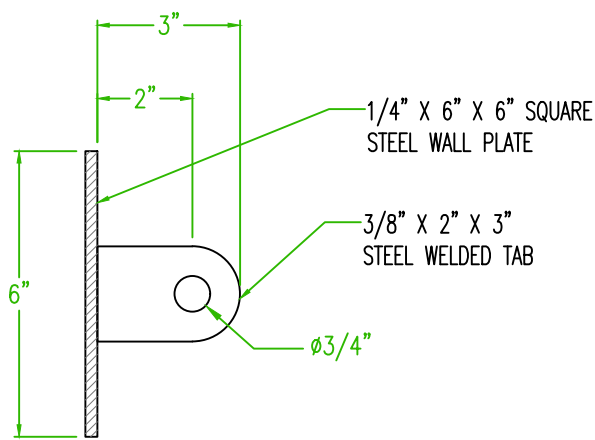
SHEET NUMBER

7

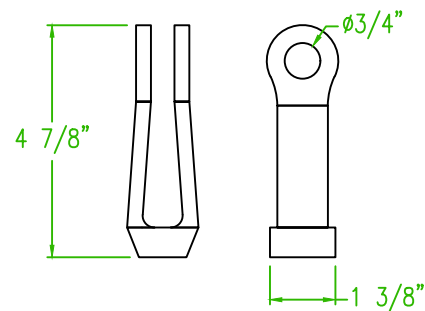
SHEET: 7 OF 8 SHEETS



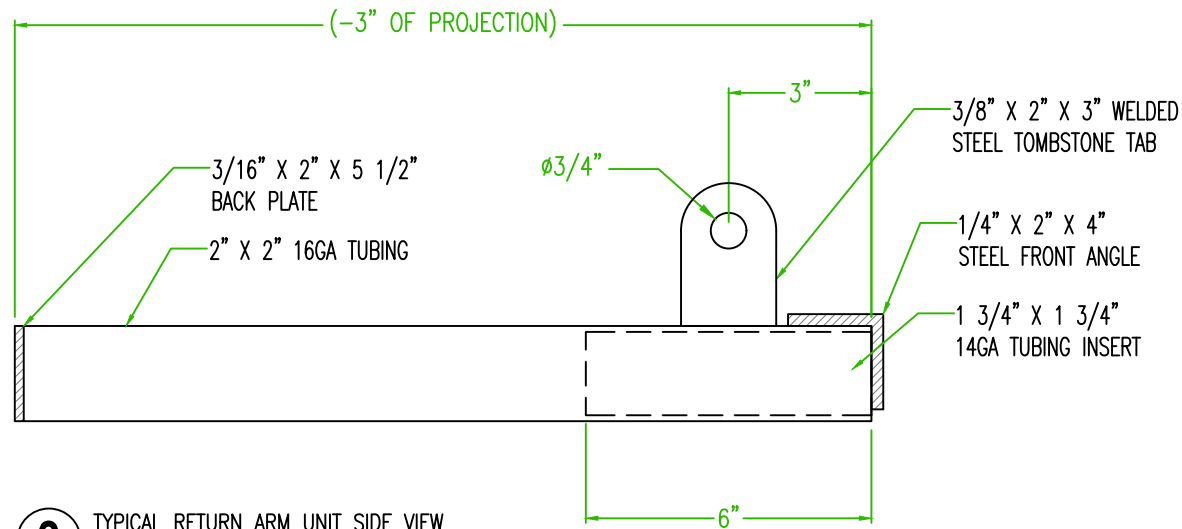
**1** OVERHEAD SQUARE WALL PLATE W/TAB FRONT VIEW  
SCALE: NTS



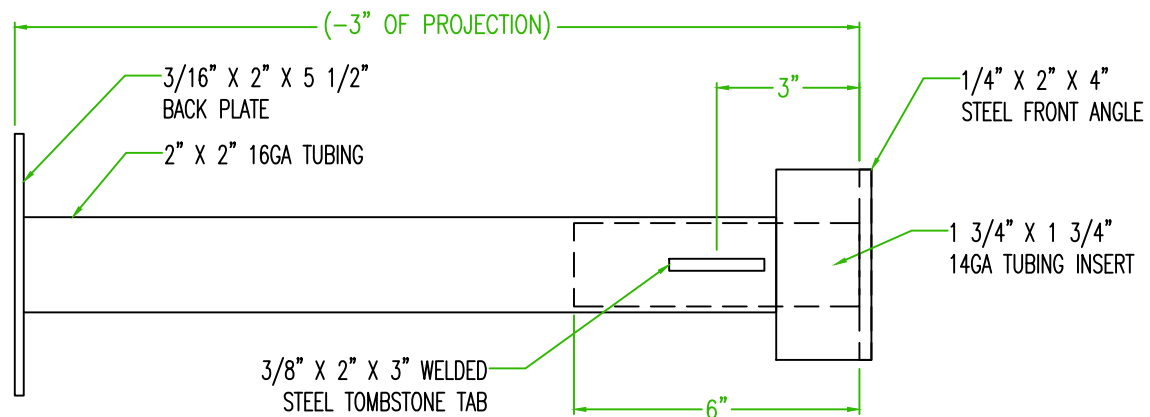
**1-A** OVERHEAD SQUARE WALL PLATE W/TAB SIDE VIEW  
SCALE: NTS



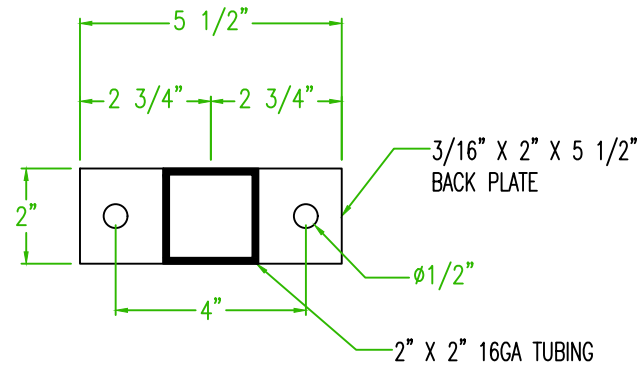
**2** TYPICAL FORGED STEEL CLEVIS BRACKET  
SCALE: NTS



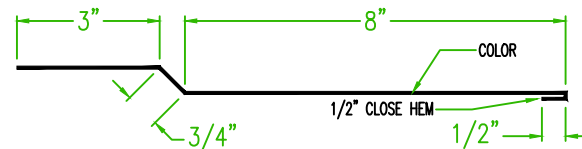
**3** TYPICAL RETURN ARM UNIT SIDE VIEW  
SCALE: NTS



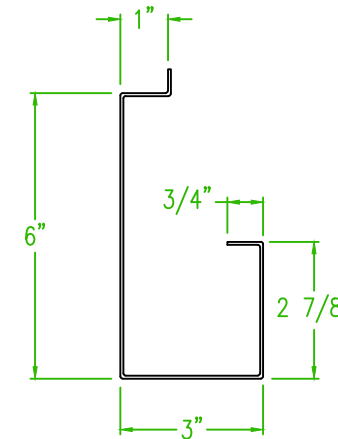
**3-A** TYPICAL RETURN ARM UNIT TOP VIEW  
SCALE: NTS



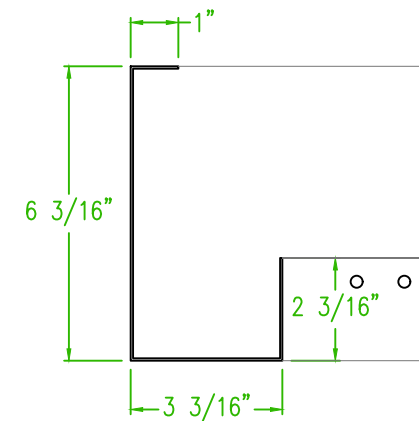
**3-B** RETURN ARM & WELDED BACK PLATE FRONT VIEW  
SCALE: NTS



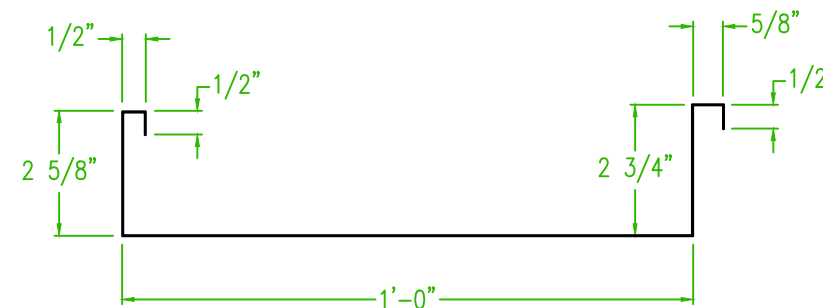
**4** OHS 24GA FLASHING  
SCALE: NTS



**5** 6" VAI-6P FASCIA  
SCALE: NTS



**6** 6" VAI-6P CORNER COVER  
SCALE: NTS



**7** 24GA HIGH SEAM ROOF PANEL  
SCALE: NTS