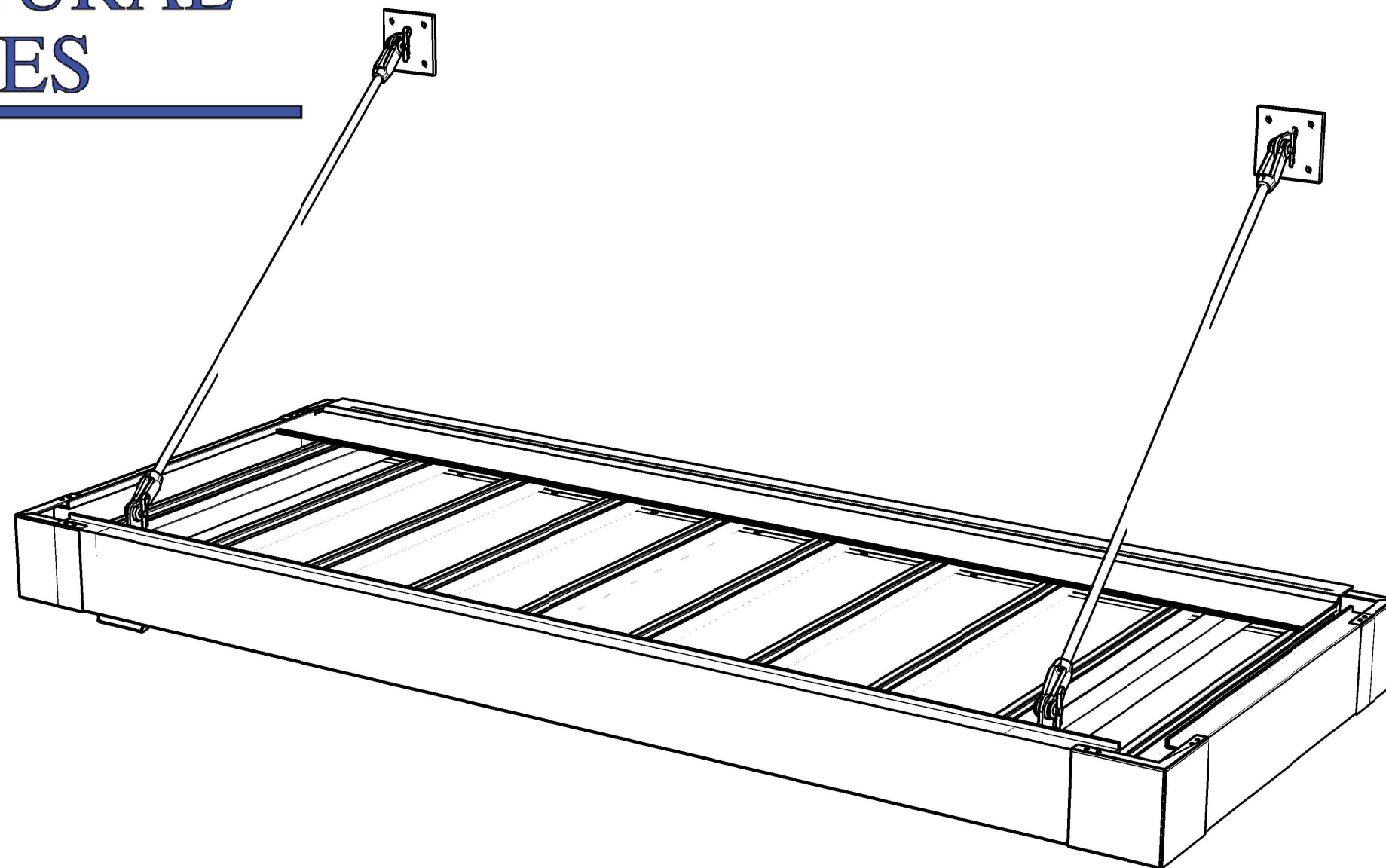
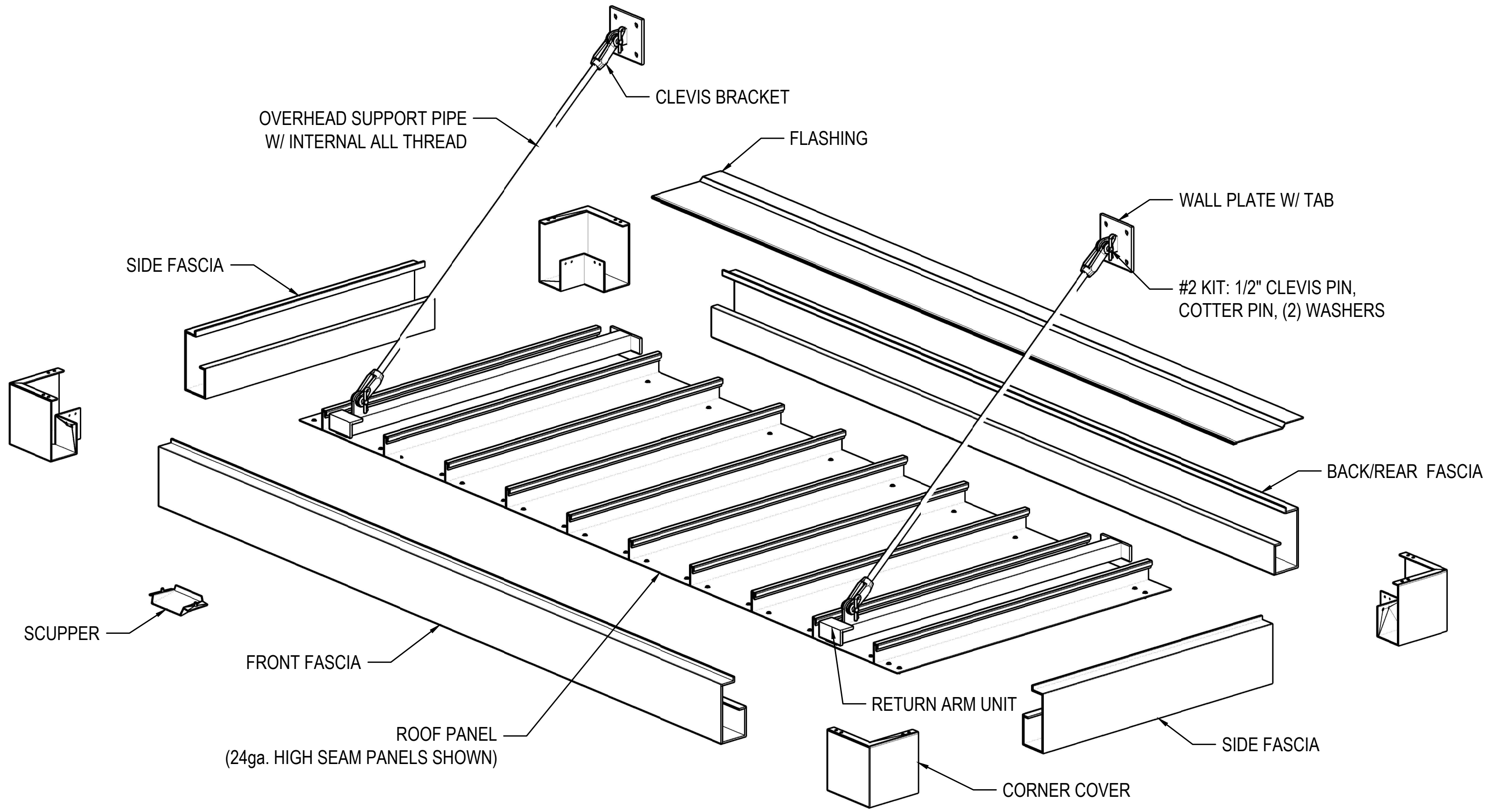

VAI

ARCHITECTURAL
CANOPIES

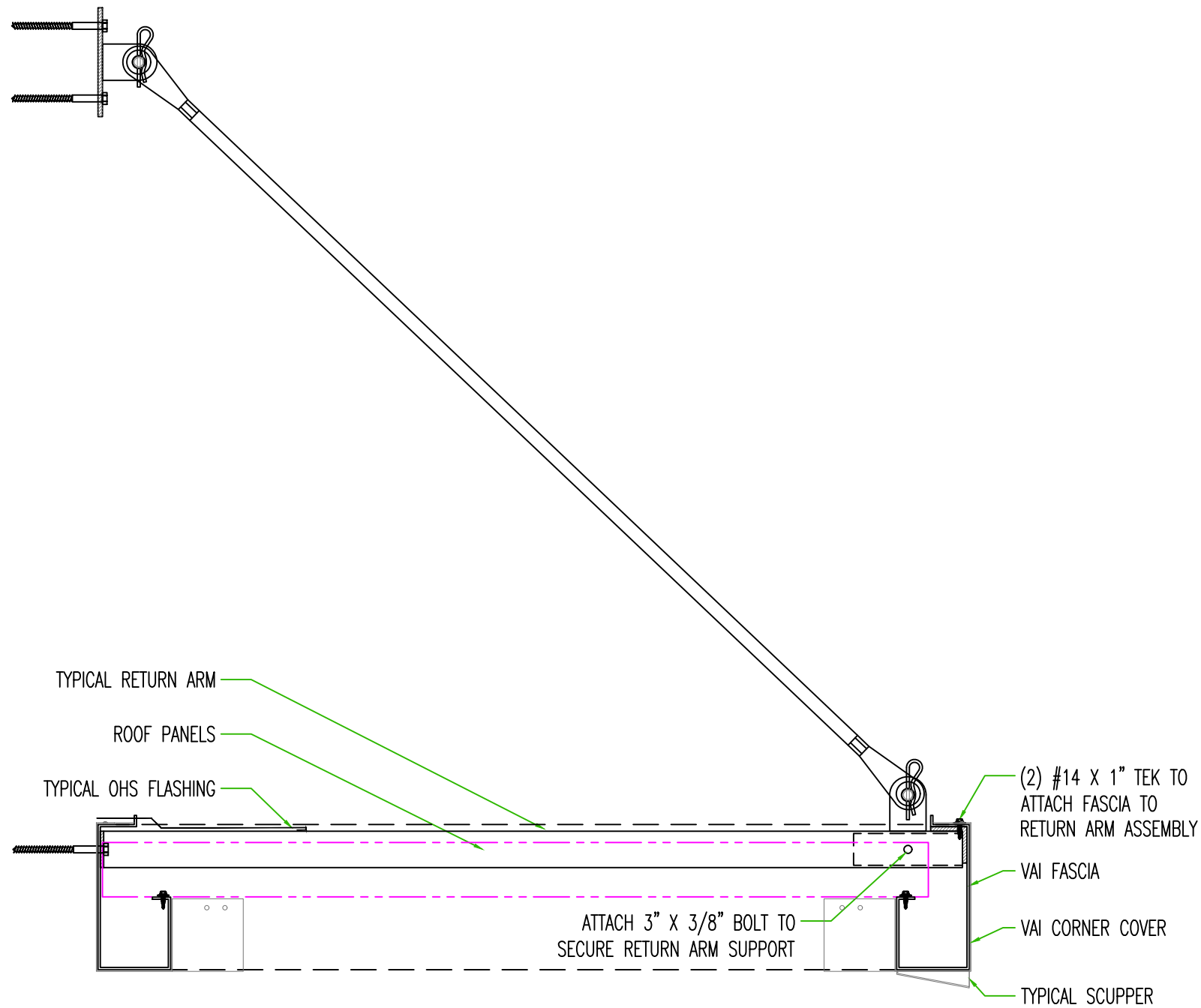
INSTALLATION GUIDE



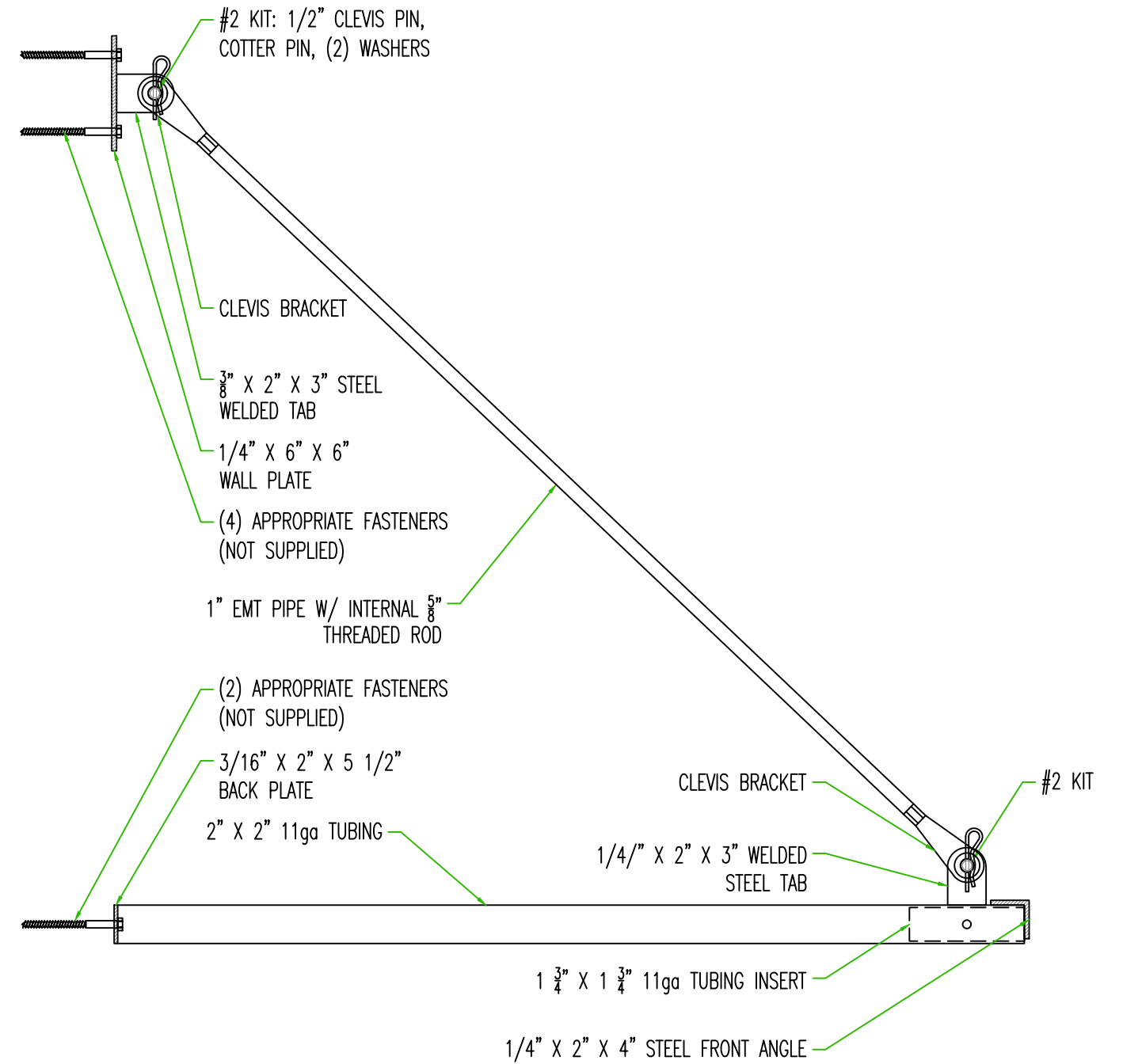
VAI - 6P OVERHEAD SUPPORTED EXTRUDED FASCIA CANOPY SYSTEM (WITH CORNERS)



CANOPY SIDE VIEW AND OVERHEAD SUPPORT DIAGRAM

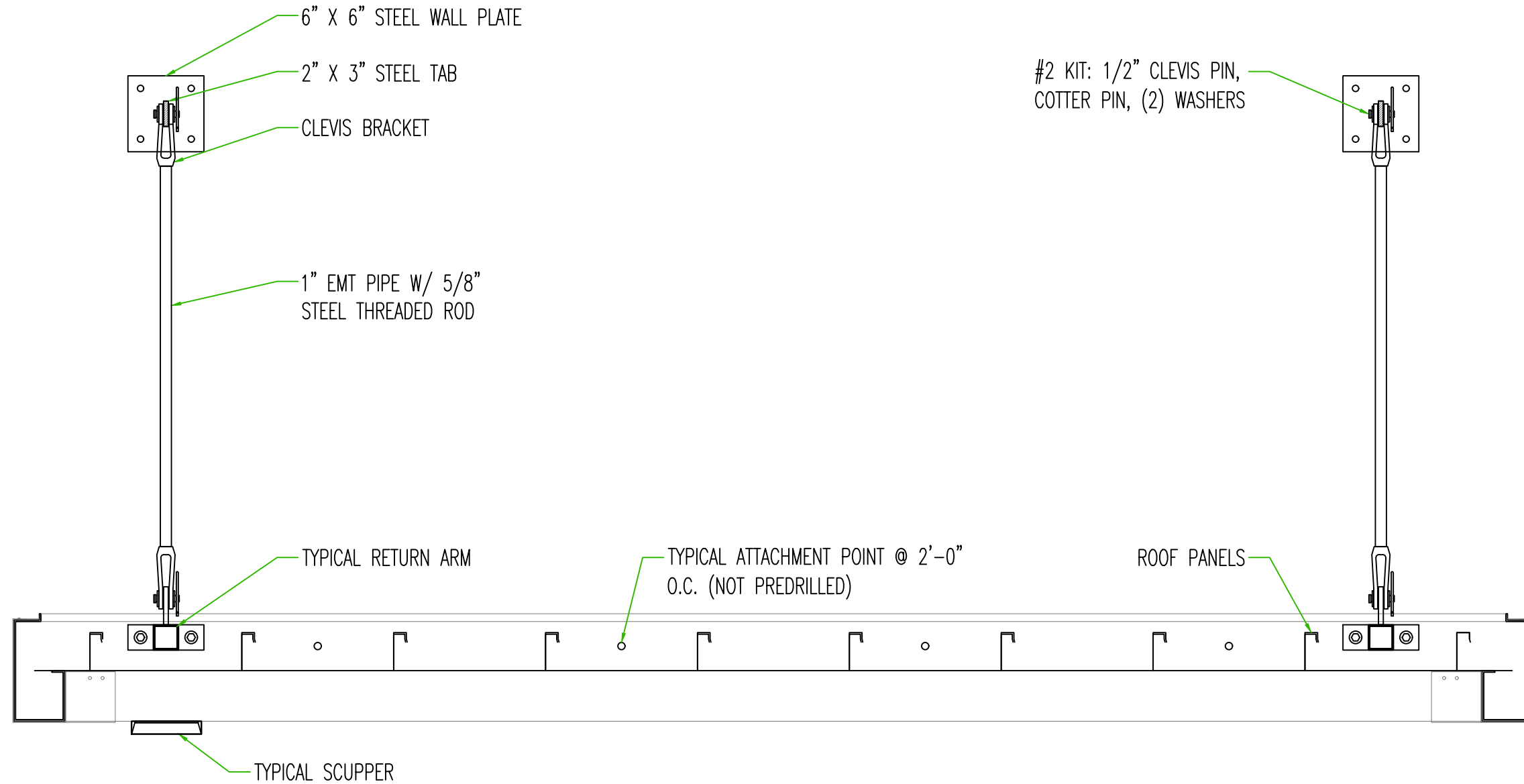


1 SIDE VIEW
SCALE: NTS

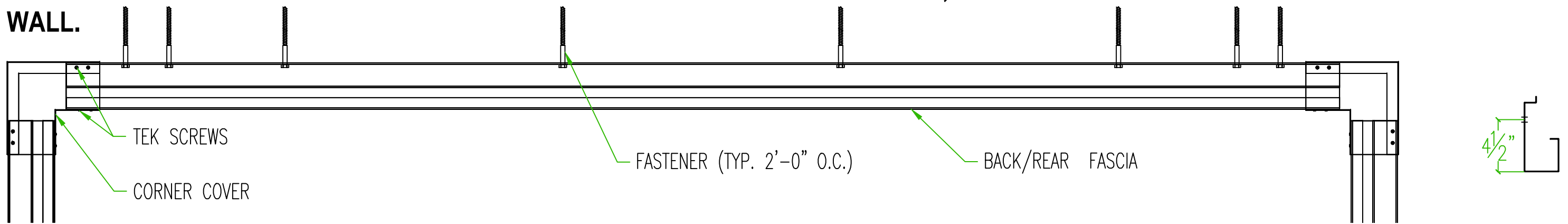


2 OVERHEAD SUPPORT ARM ASSEMBLY
SCALE: NTS

FRONT SECTION CANOPY VIEW



1) SLIDE AND ATTACH CORNER COVERS TO BACK/REAR FASCIA WITH TEK SCREWS, INSTALL FASTENERS TO WALL THROUGH INSIDE OF FASCIA TO WALL.

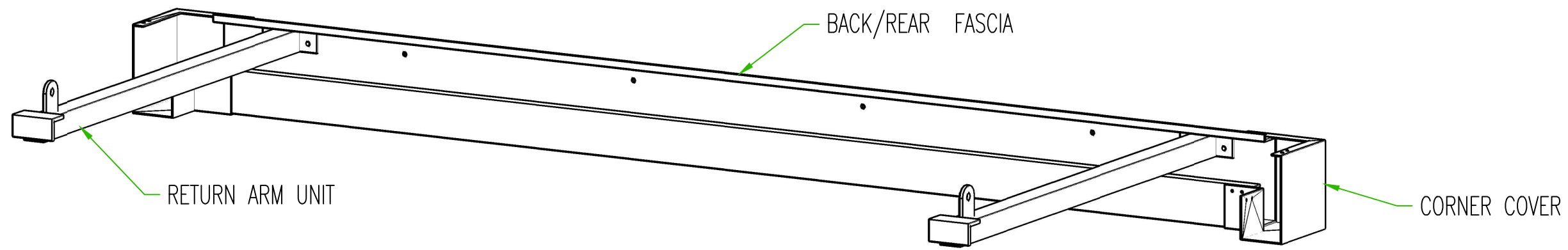


2) ALIGN WALL PLATES AND RETURN ARMS IN SAME VERTICAL POSITION. TYPICALLY SYMMETRICAL. ONCE POSITIONING IS MARKED, ATTACH WALL PLATES AND RETURN ARM TO WALL WITH APPROPRIATE FASTENERS.

****NOTE: DRILL HOLES IN BACK FASCIA 4 1/2" FROM BOTTOM AND ALIGN HOLE PLACEMENT WITH BLOCKING.****



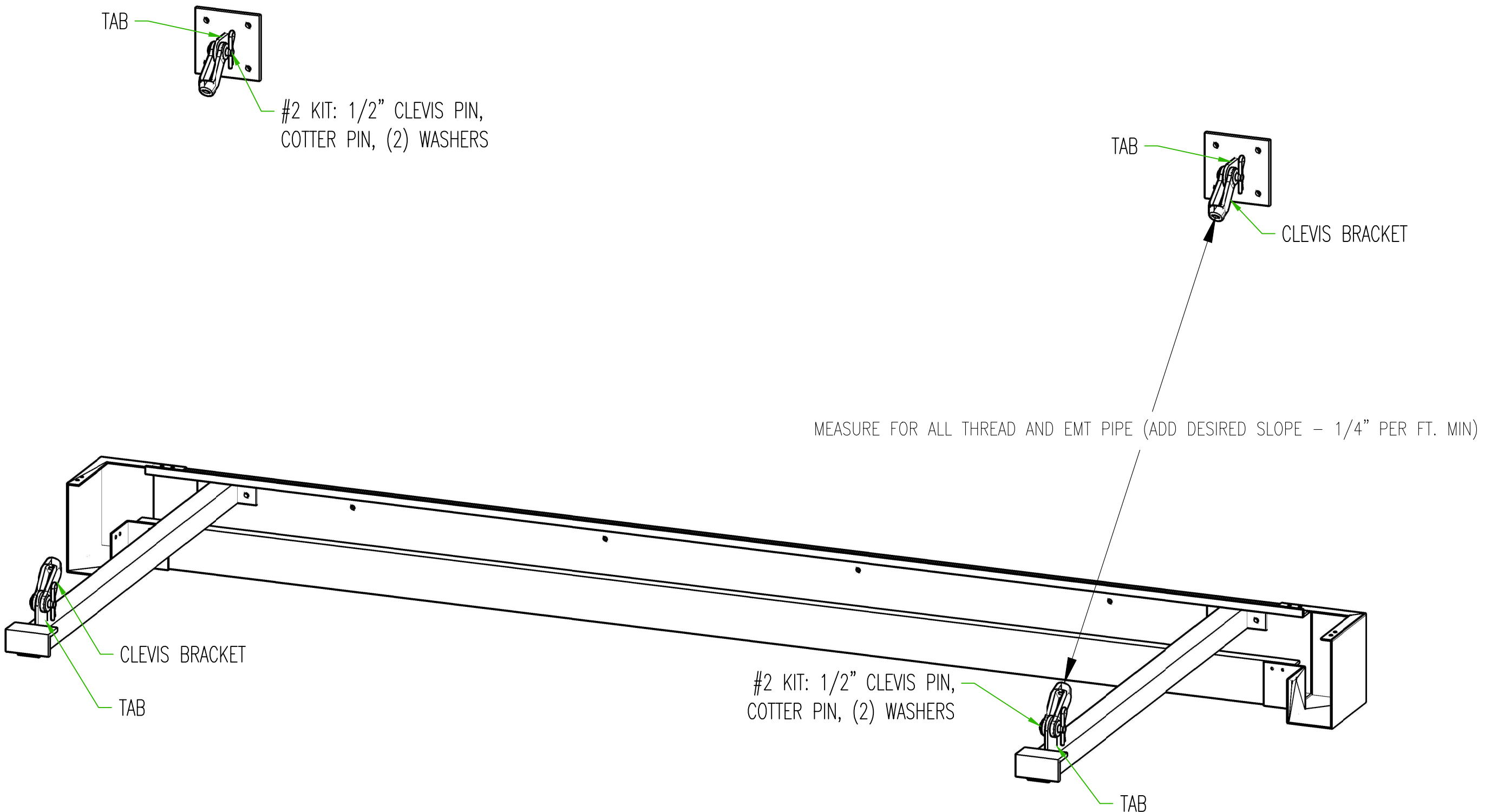
****NOTE: RETURN ARMS ARE IN (2) PIECES (FRONT INSERT AND MAIN TUBE). DO NOT FASTEN AT THIS TIME.****

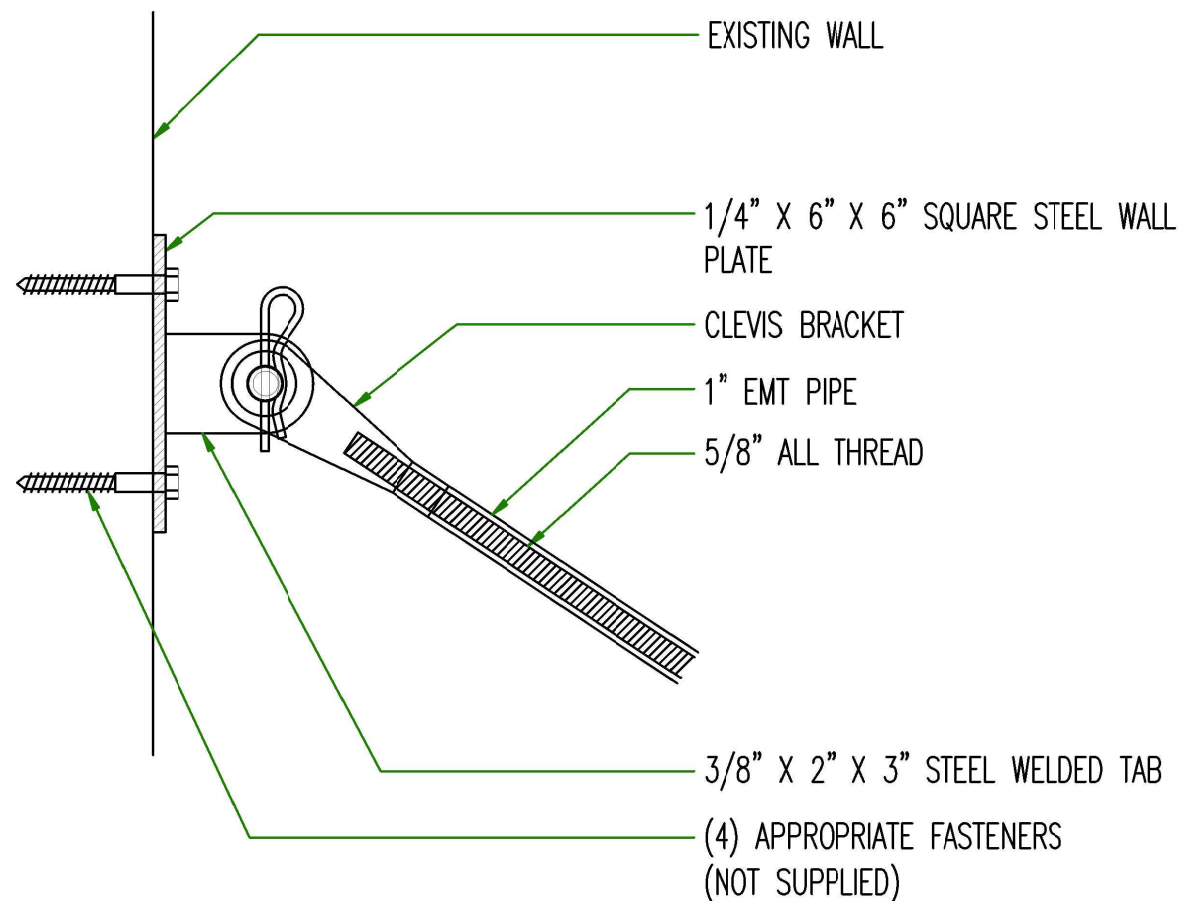


FRONT AND SIDE FASCIA NOT SHOWN FOR CLARITY

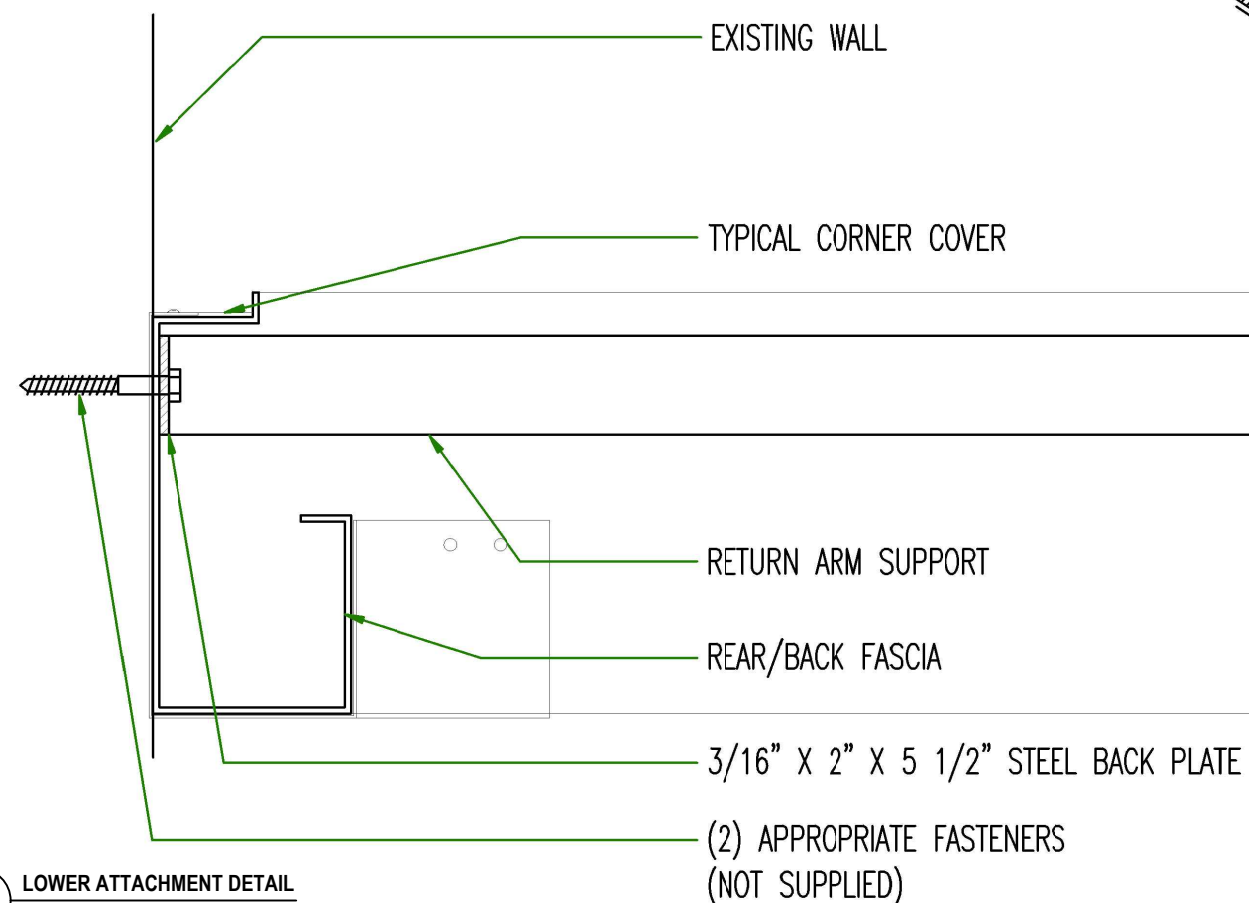
3) ATTACH CLEVIS BRACKET TO TABS (ON WALL PLATE AND RETURN ARM) WITH SUPPLIED 1/2" CLEVIS PIN, COTTER PIN, AND WASHERS.

4) MEASURE DISTANCE BETWEEN CLEVIS BRACKET TO CLEVIS BRACKET, ADD FOR DESIRED SLOPE. CUT DOWN EMT PIPE AND ALL-THREAD IF NECESSARY. (USE TOUCH UP PAINT ON CUT END OF ALL THREAD AND EMT)





1 UPPER ATTACHMENT DETAIL
SCALE: NTS



2 LOWER ATTACHMENT DETAIL
SCALE: NTS

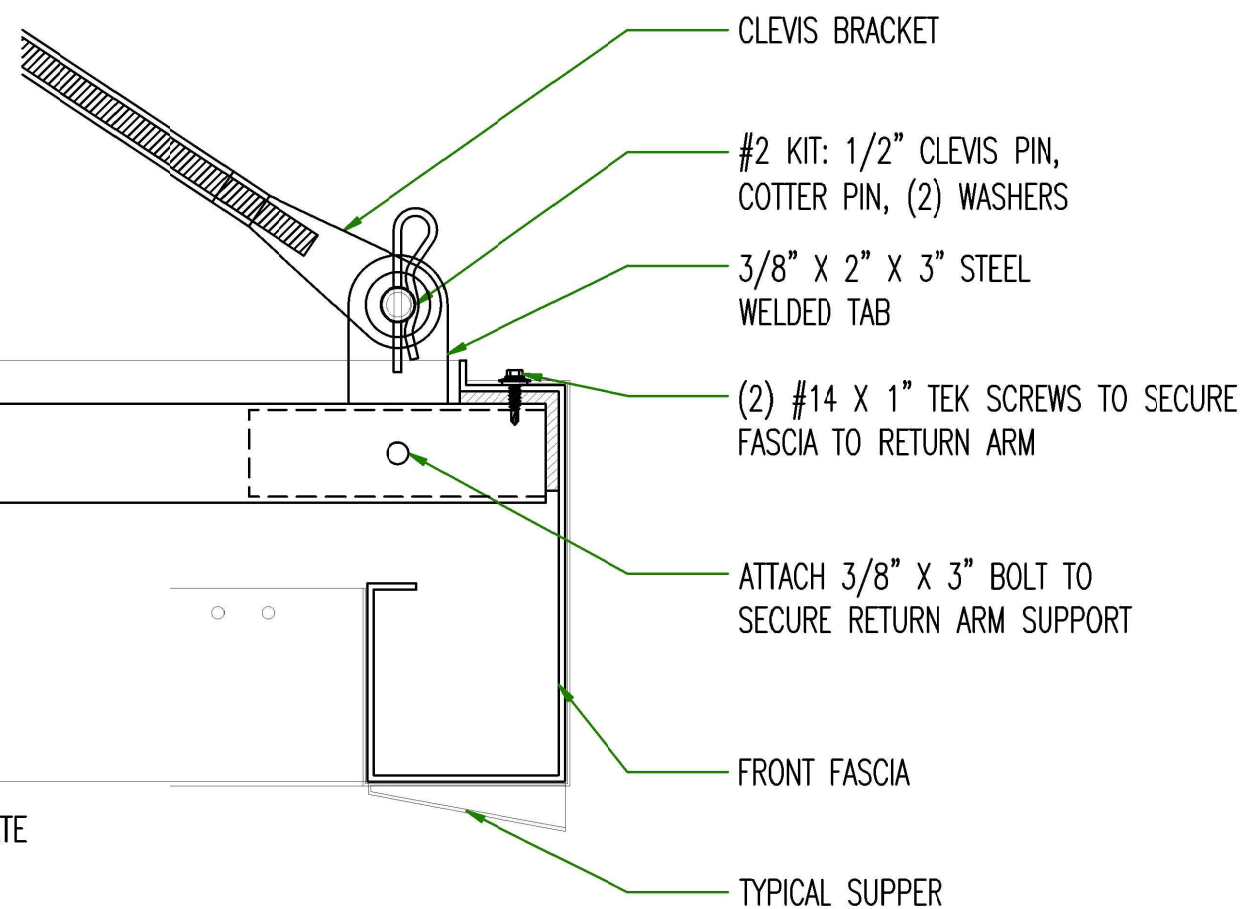
5) RETURN ARM SUPPORTS ARE MADE IN (2) PIECES. ONCE SUPPORT IS PLACED IN FASCIA, EXPAND THE FRONT INSERT TO BUTT UP WITH BACKSIDE OF THE FRONT FASCIA. USE SUPPLIED 3" X 3/8" BOLTS, WASHERS, LOCK WASHERS AND NUTS TO ATTACH (2) PIECES OF RETURN ARM SUPPORT, USE (2) #14 X 1" TEK SCREWS TO ATTACH FASCIA TO RETURN ARM .

6) ATTACH (1) CLEVIS BRACKET TO 5/8" ALL-THREAD. THREAD TO BUTT UP END OF ALL-THREAD WITH INSIDE EDGE OF THE CLEVIS NUT.

7) INSTALL 1" SUPPORT ARM PIPE OVER 5/8" ALL-THREAD AND INSTALL 2ND CLEVIS BRACKET ON THE OTHER END.

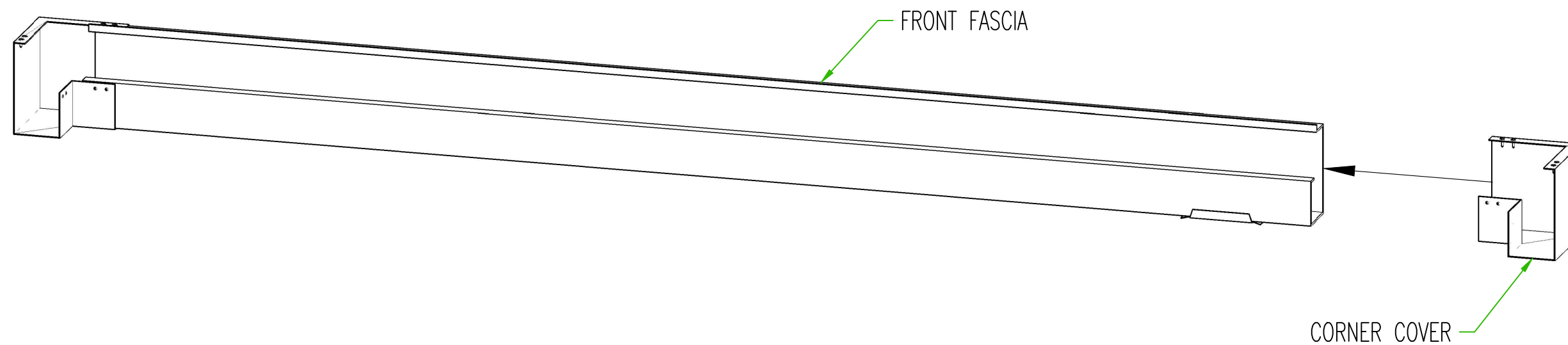
****NOTE: ADJUSTMENTS TO ALL-THREAD MAY BE NECESSARY, DEPENDING ON HEIGHT OF WALL PLATES. IF NEEDED, CUT OFF PROPER LENGTH OF ALL-THREAD AND ADJUST LENGTH OF 1" SUPPORT ARM COVER AS WELL.****

8) INSTALL RETURN ARM BY USING SUPPLIED 2- 1/2" CLEVIS PIN , WASHERS AND COTTER PIN TO WALL PLATE TAB AND RETURN ARM SUPPORT TABS.

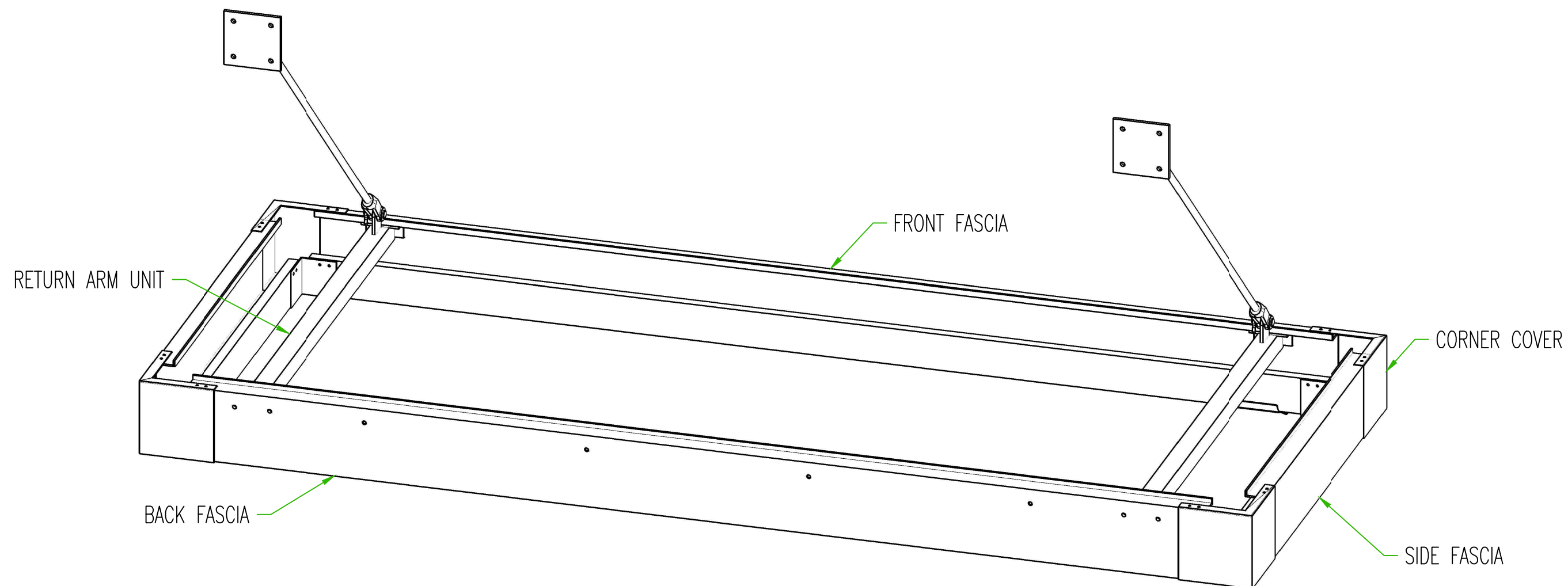


3 FRONT ATTACHMENT DETAIL
SCALE: NTS

9) ATTACH CORNER COVER TO FRONT FASCIA WITH TEK SCREW, SAME AS REAR FASCIA.



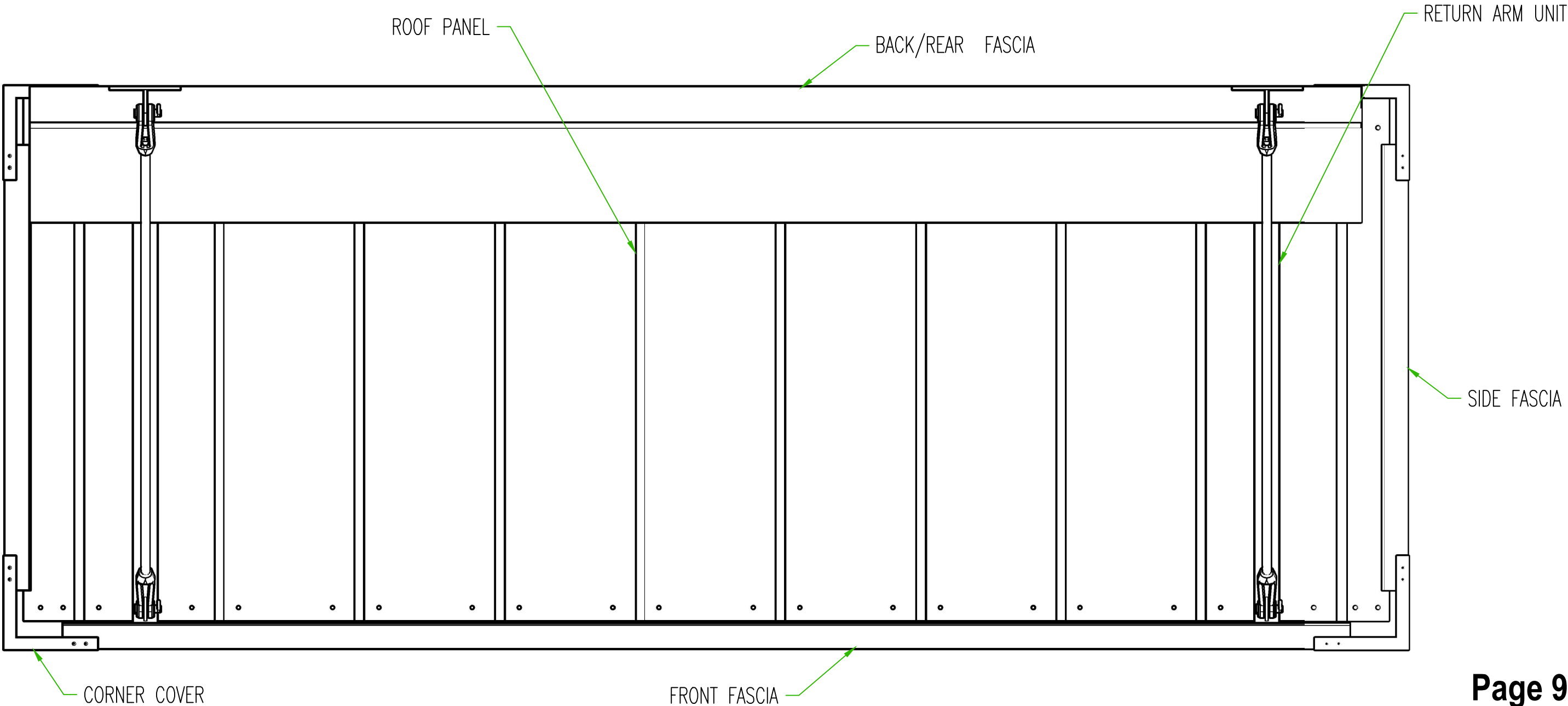
10) ATTACH SIDE FASCIA AFTER FRONT FASCIA IS INSTALLED WITH TEK SCREWS.



11) ATTACH ROOF PANELS TO FASCIA WITH #12 X 1" TEK SCREWS. PANELS SHOULD BE FLUSH AGAINST THE BACK OF THE FASCIA, HANGING OVER GUTTER ON THE FRONT FASCIA.

12) ENSURE ALL FASCIA AND CORNER COVERS ARE SECURE.

****NOTES: RETURN ARM UNIT MAY NEED TO BE UNBOLTED AND LIFTED TO ALLOW ROOF PANEL INSTALLATION. ALWAYS SUPPORT FASCIA FROM UNDERNEATH AS NECESSARY. THEN SECURE RETURN ARM UNIT ONCE ROOF PANEL IS INSTALLED.****



13) DRILL 2" MIN. HOLE(S) 1 1/2" FROM BACK OF FRONT FASCIA FOR DRAINAGE AND ATTACH SUPPLIED SCUPPERS.

14) ATTACH SUPPLIED FLASHING TO BACK FASCIA. USE APPROPRIATE SEALANT ALONG TOP FLANGE OF FLASHING.

15) SEAL EACH CORNER COVER WITH APPROPRIATE SEALANT.

