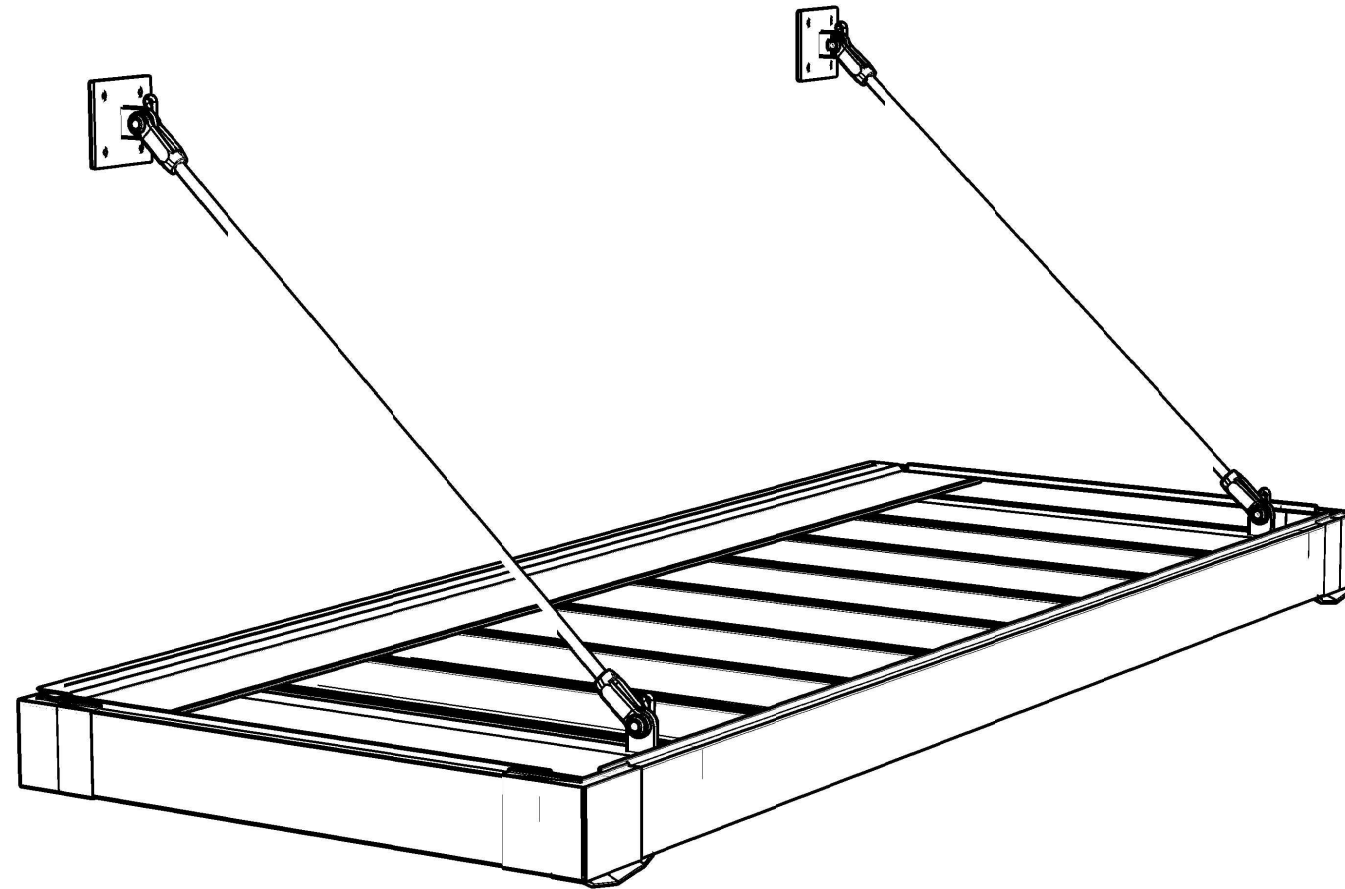


VAI-6S-RF

QTY:
10'-0" X 4'-0"



JOB NO:

SALES:

SHEET DESCRIPTION

3D CONCEPTUAL VIEW

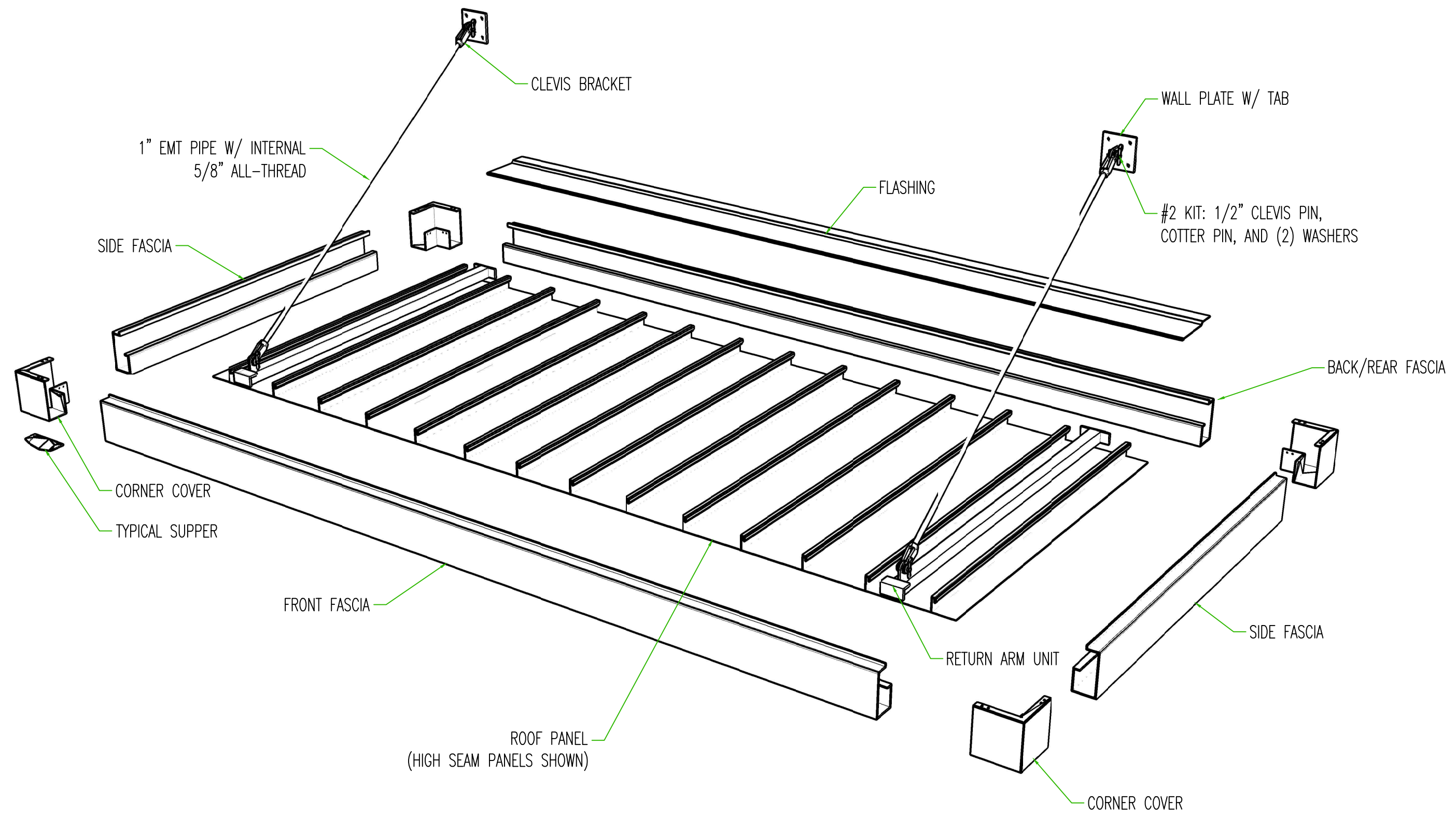
DATE:

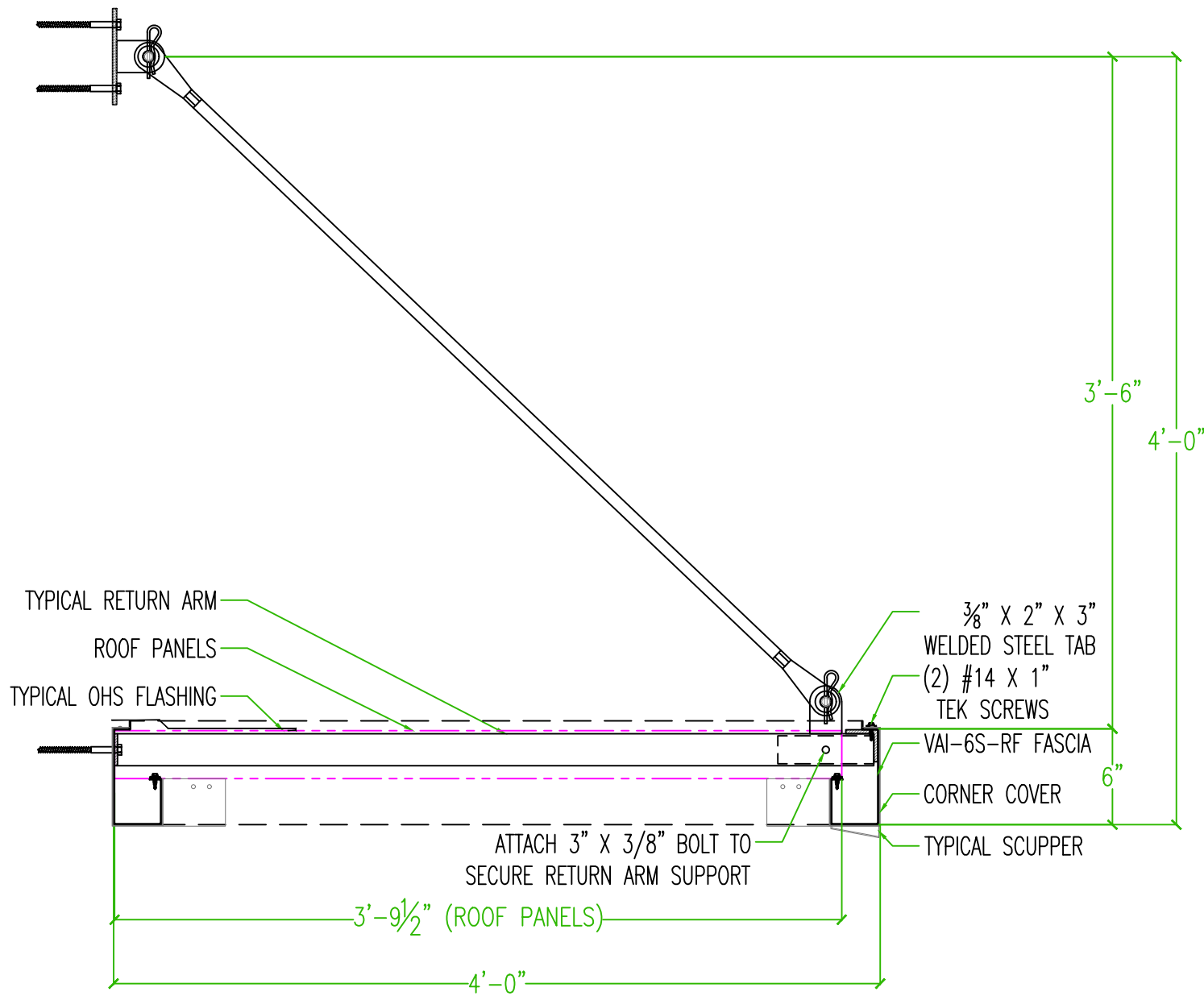
DRAWN:

SHEET NUMBER

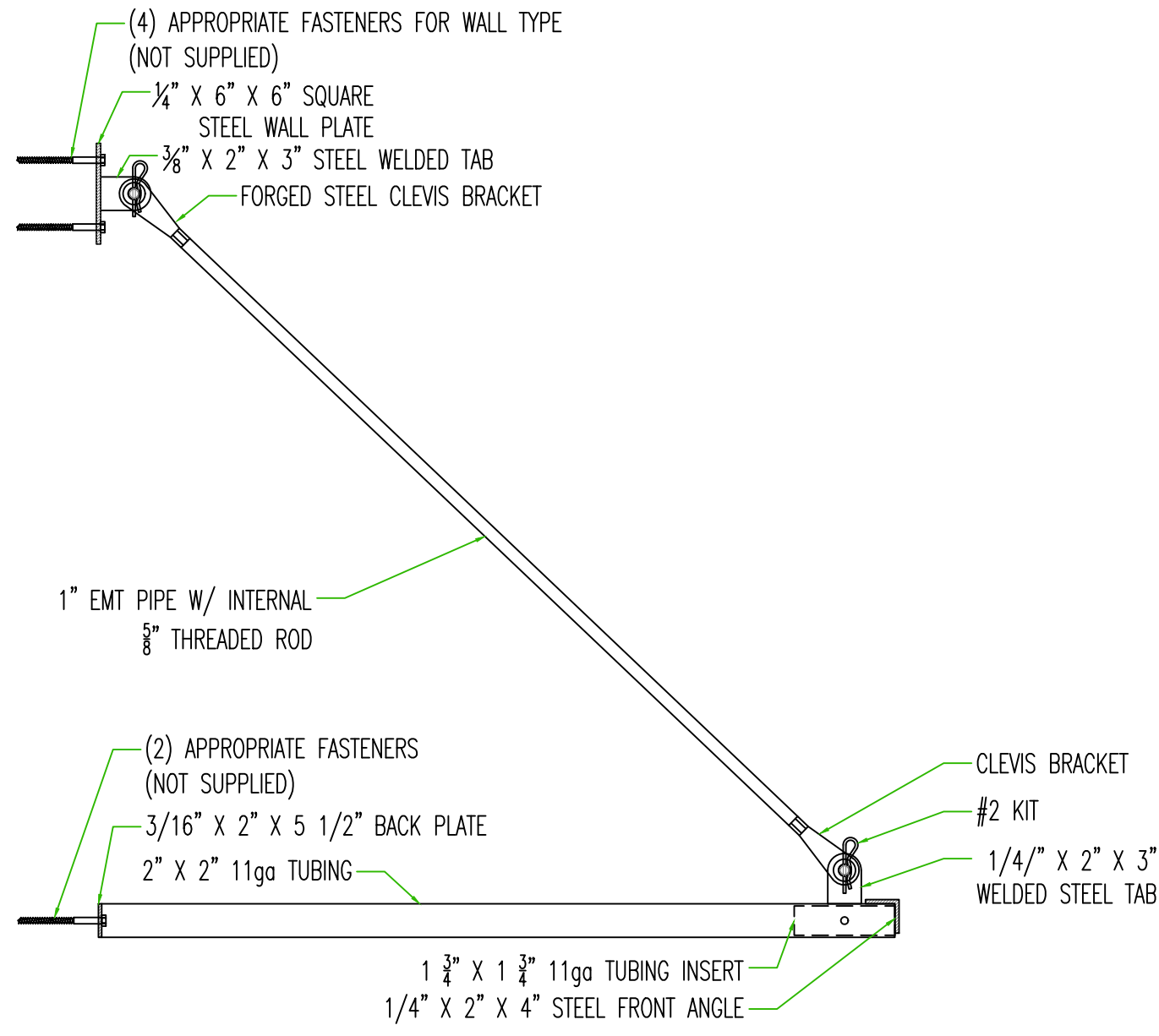
1

SHEET: 1 OF 8 SHEETS





1 SIDE VIEW
SCALE: NTS



2 HANGER ROD ASSEMBLY
SCALE: NTS

SHEET DESCRIPTION
SIDE VIEW

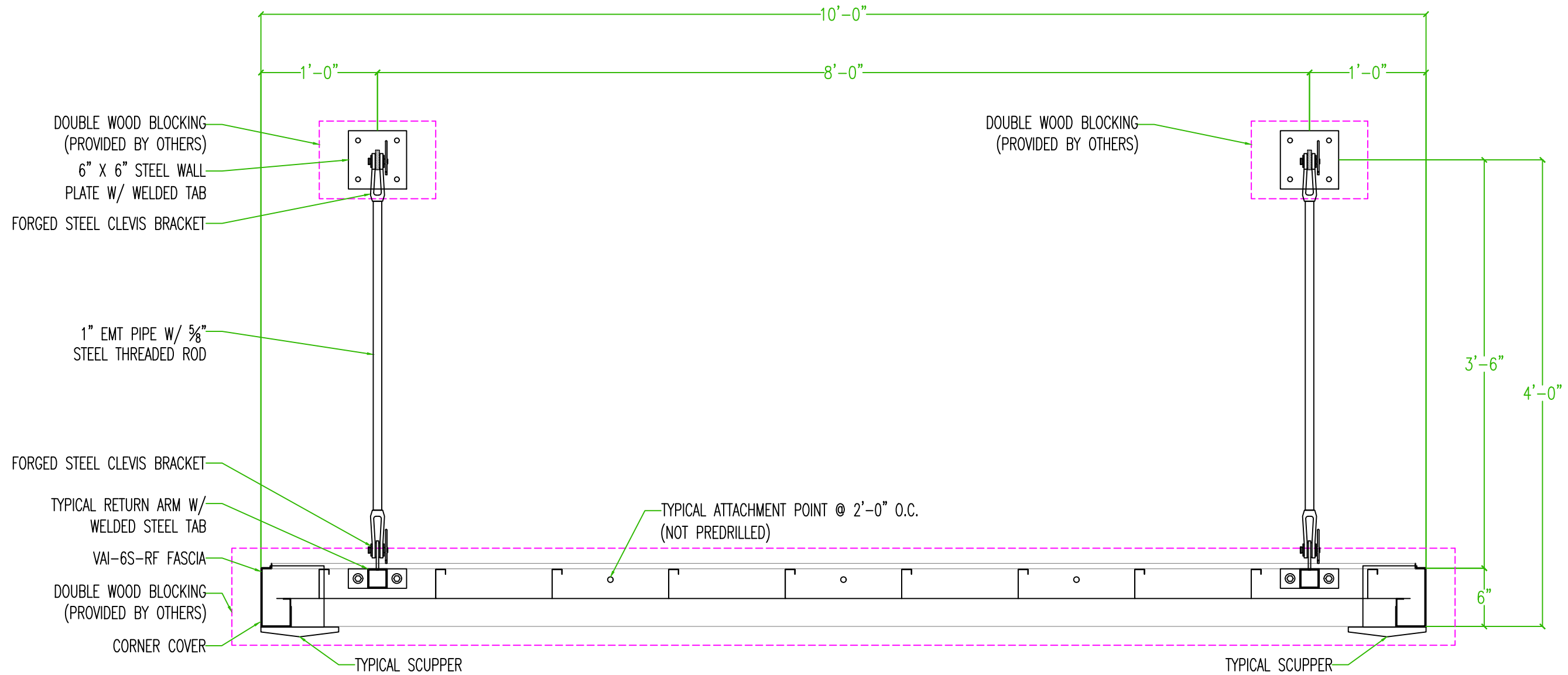
DATE:

DRAWN:

SHEET NUMBER

3

SHEET: 3 OF 8 SHEETS



1 FRONT VIEW
SCALE: NTS

SHEET DESCRIPTION

FRONT VIEW

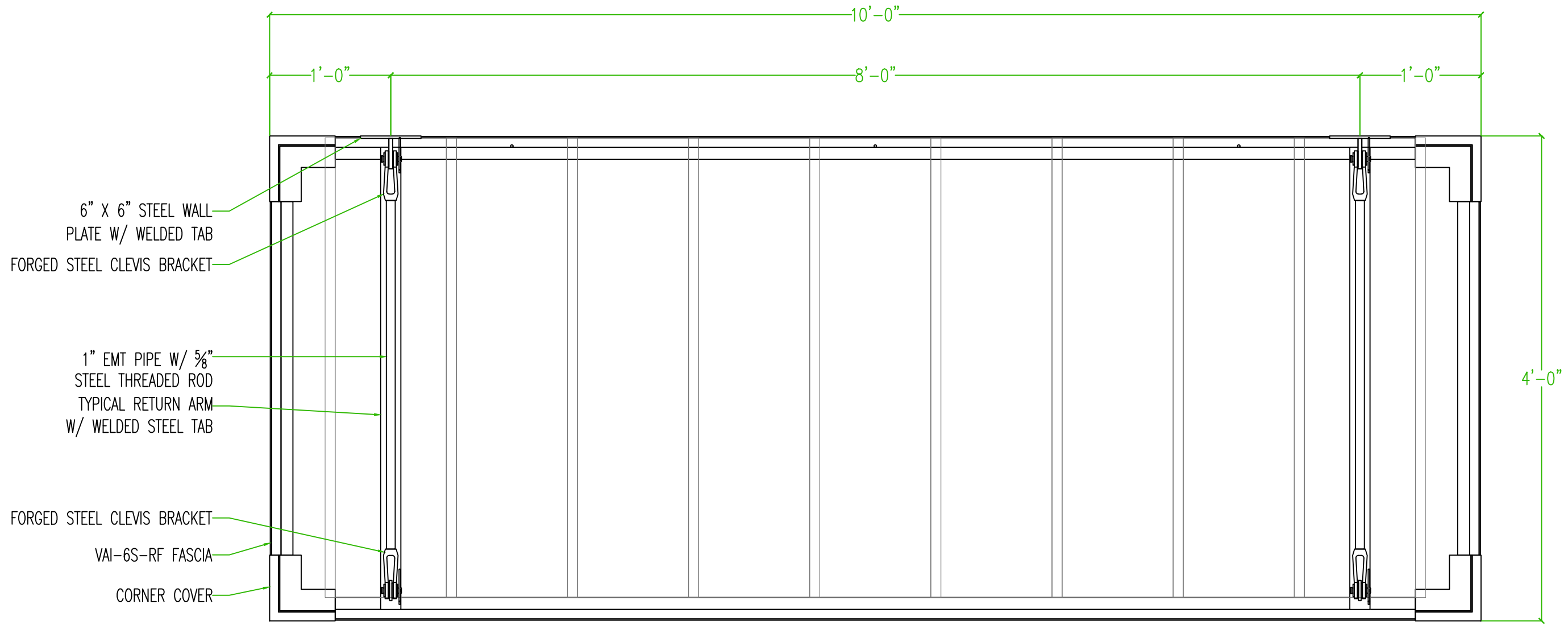
DATE:

DRAWN:

SHEET NUMBER

4

SHEET: 4 OF 8 SHEETS



SHEET DESCRIPTION

TOP VIEW

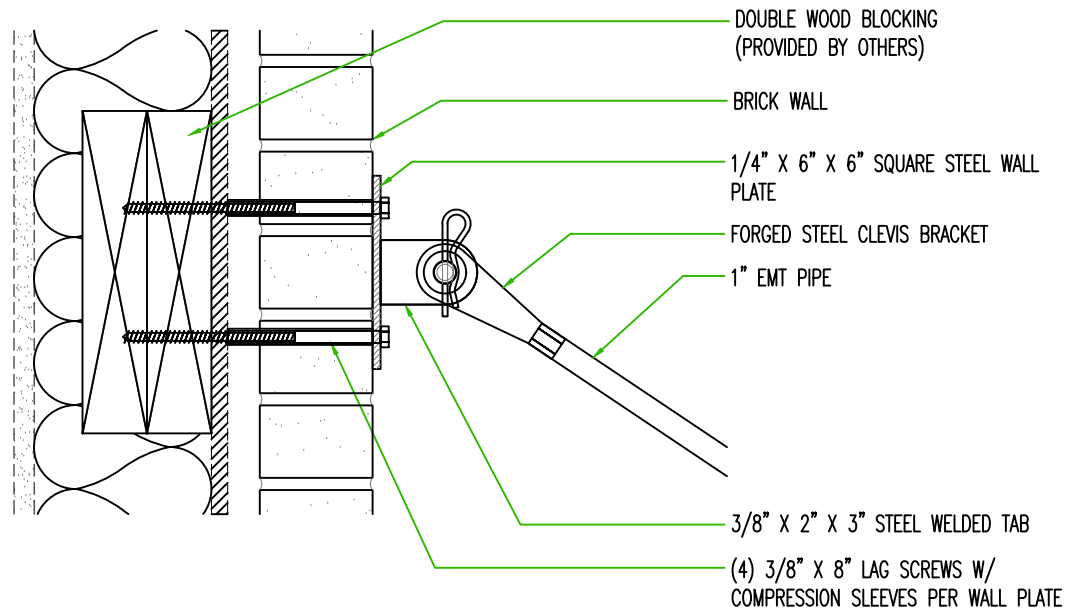
DATE:

DRAWN:

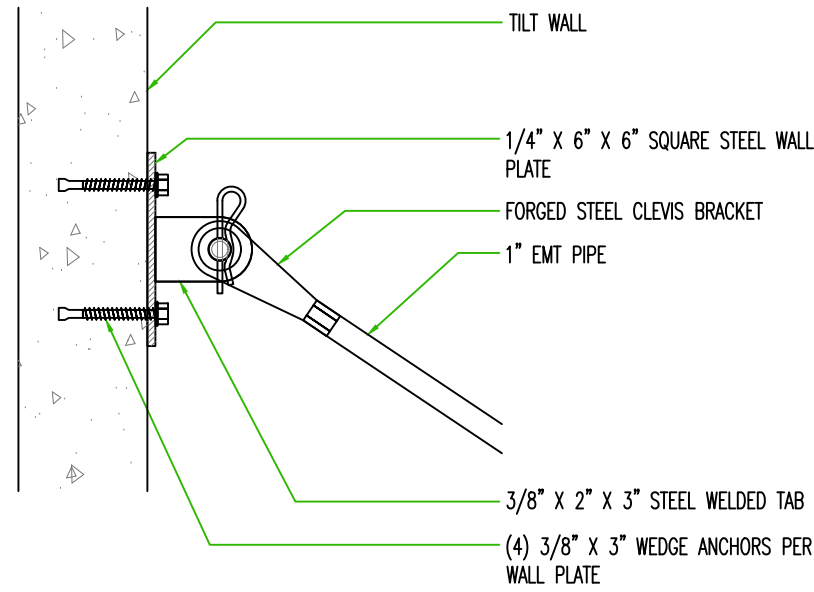
SHEET NUMBER

5

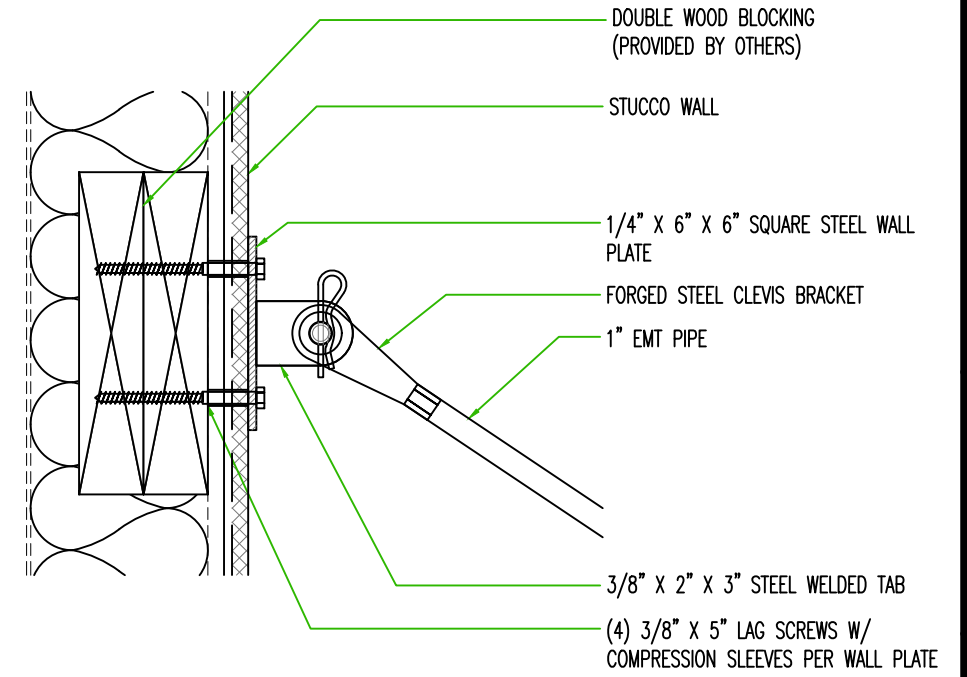
SHEET: 5 OF 8 SHEETS



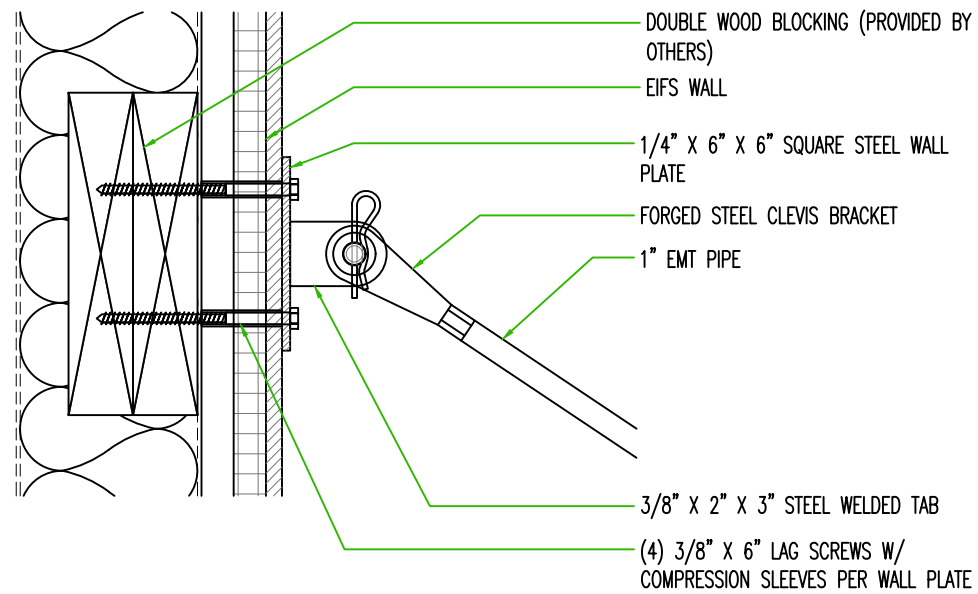
A UPPER ATTACHMENT DETAIL (BRICK WALL)
SCALE: NTS



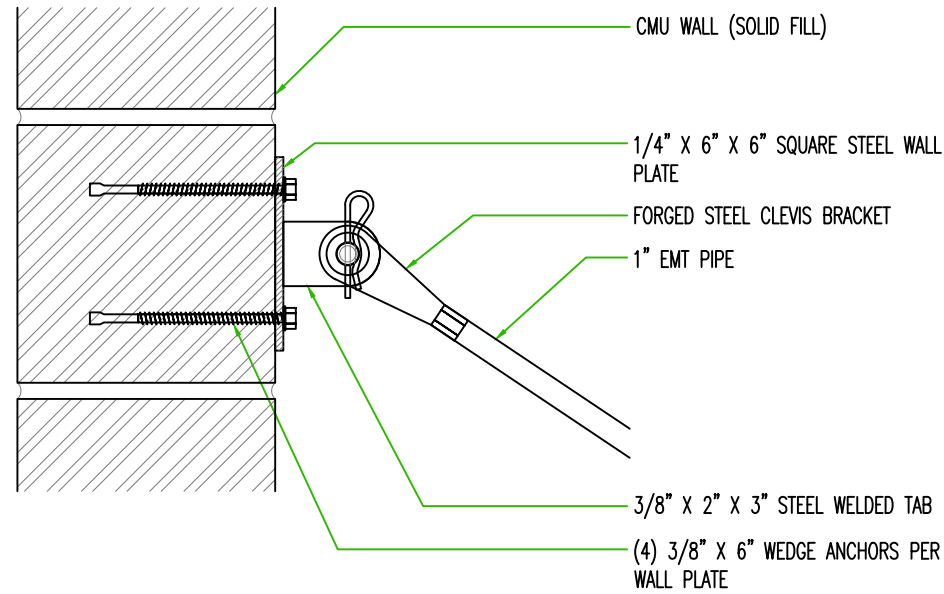
A UPPER ATTACHMENT DETAIL (TILT WALL)
SCALE: NTS



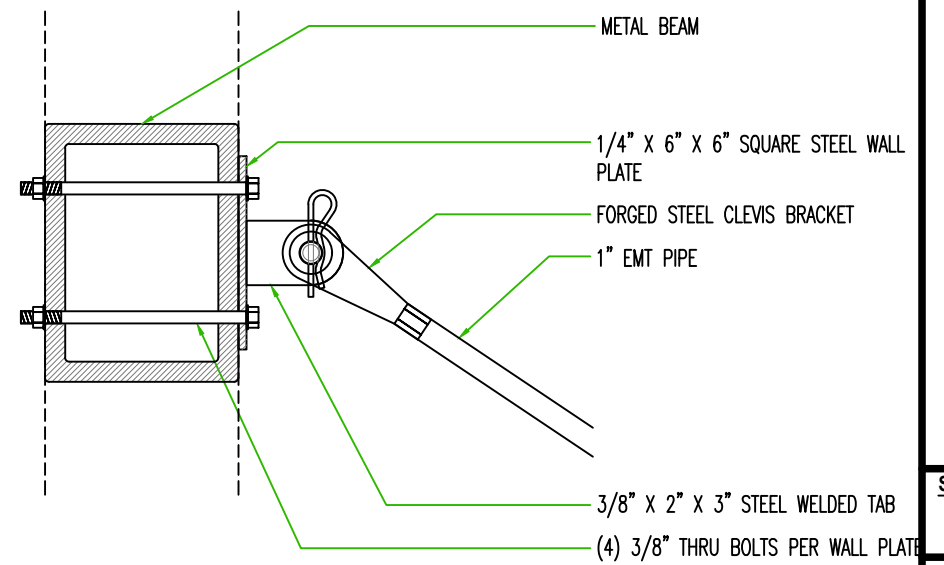
A UPPER ATTACHMENT DETAIL (STUCCO WALL)
SCALE: NTS



A UPPER ATTACHMENT DETAIL (EIFS WALL)
SCALE: NTS



A UPPER ATTACHMENT DETAIL (SOLID FILL CMU)
SCALE: NTS



A UPPER ATTACHMENT DETAIL (METAL BEAM)
SCALE: NTS

JOB NO:

SALES:

SHEET DESCRIPTION

ATTACHMENT DETAILS

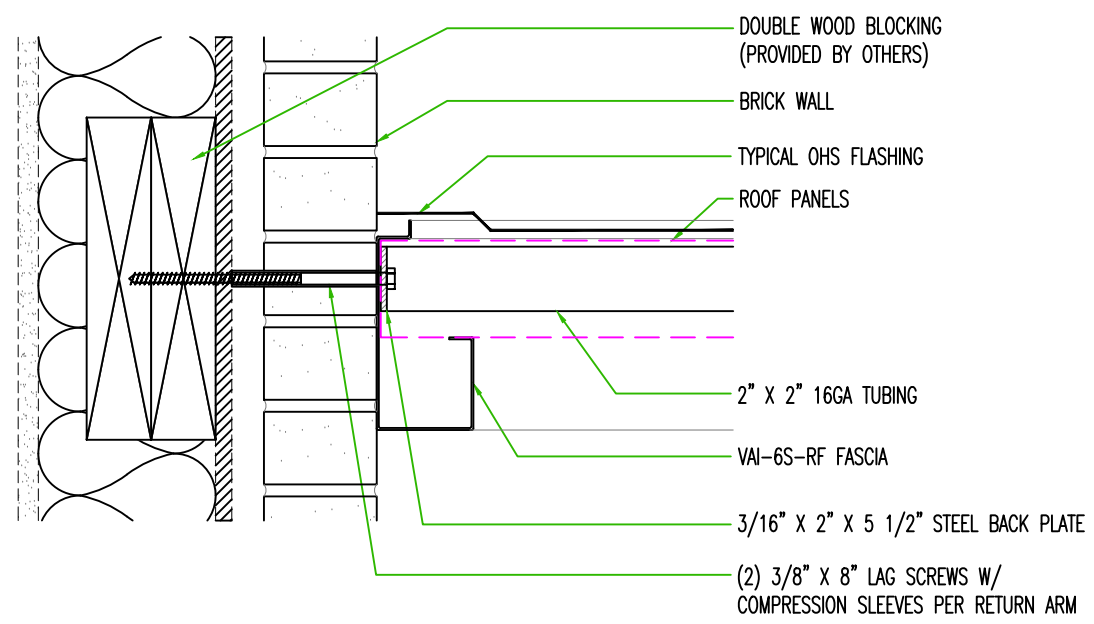
DATE:

DRAWN:

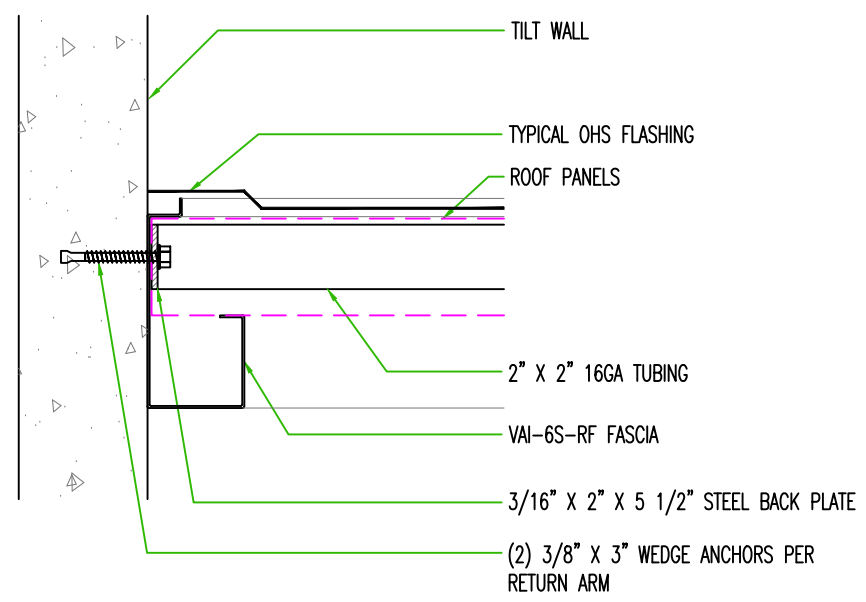
SHEET NUMBER

6

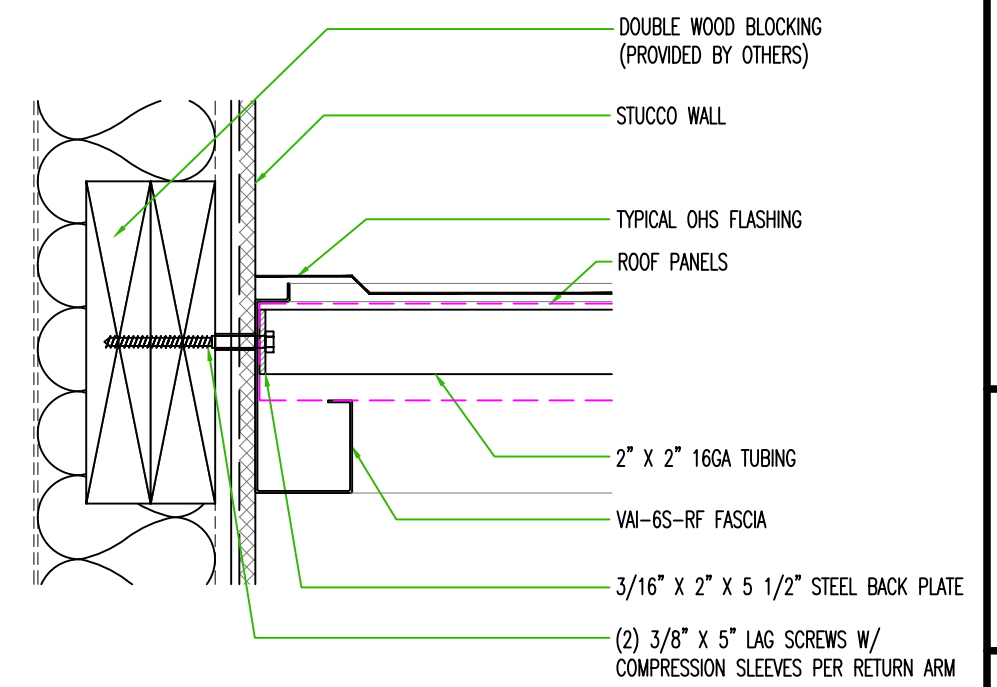
SHEET: 6 OF 8 SHEETS



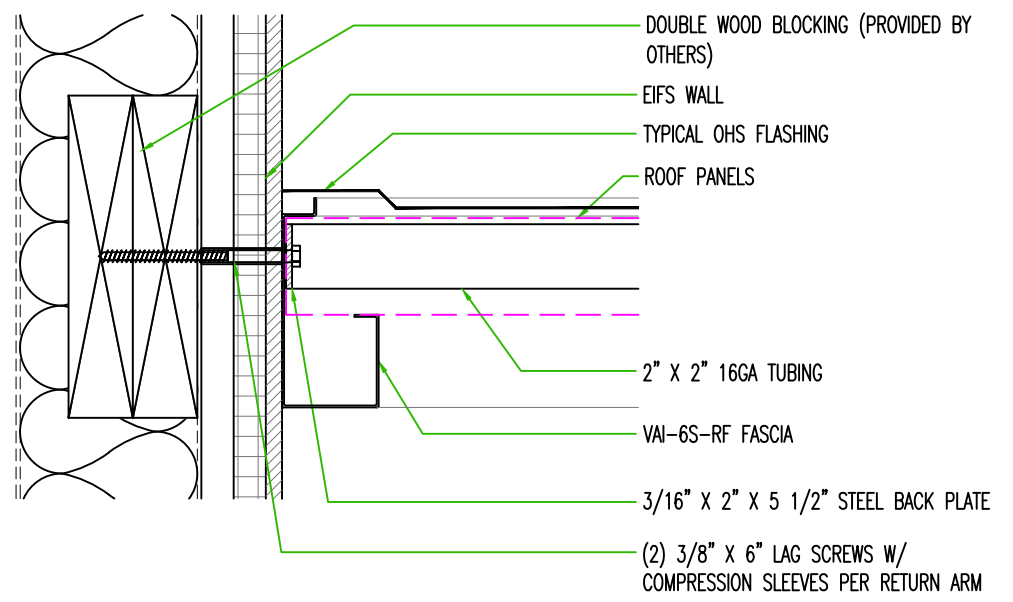
B LOWER ATTACHMENT DETAIL (BRICK WALL)
SCALE: NTS



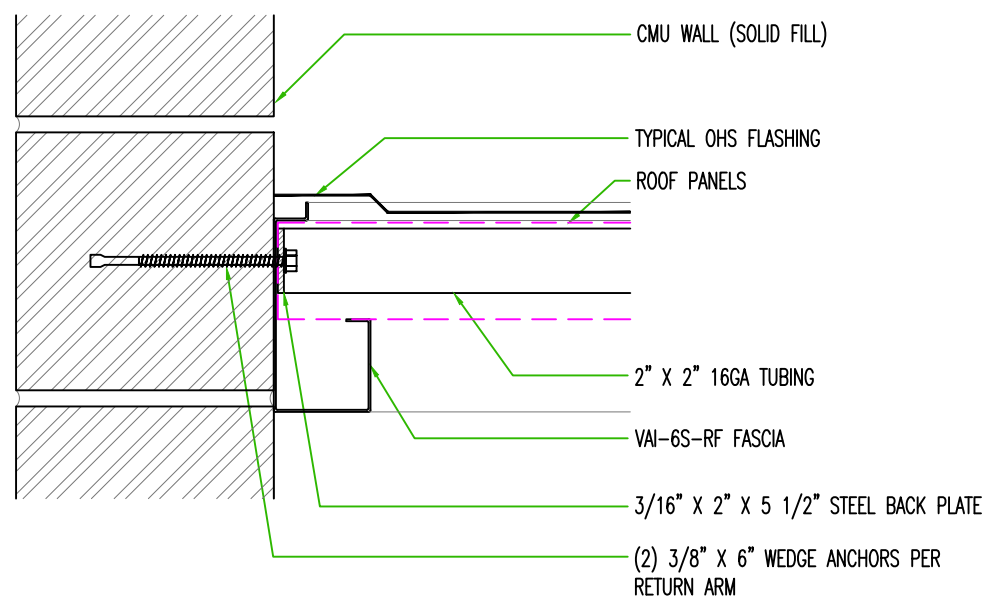
B LOWER ATTACHMENT DETAIL (TILT WALL)
SCALE: NTS



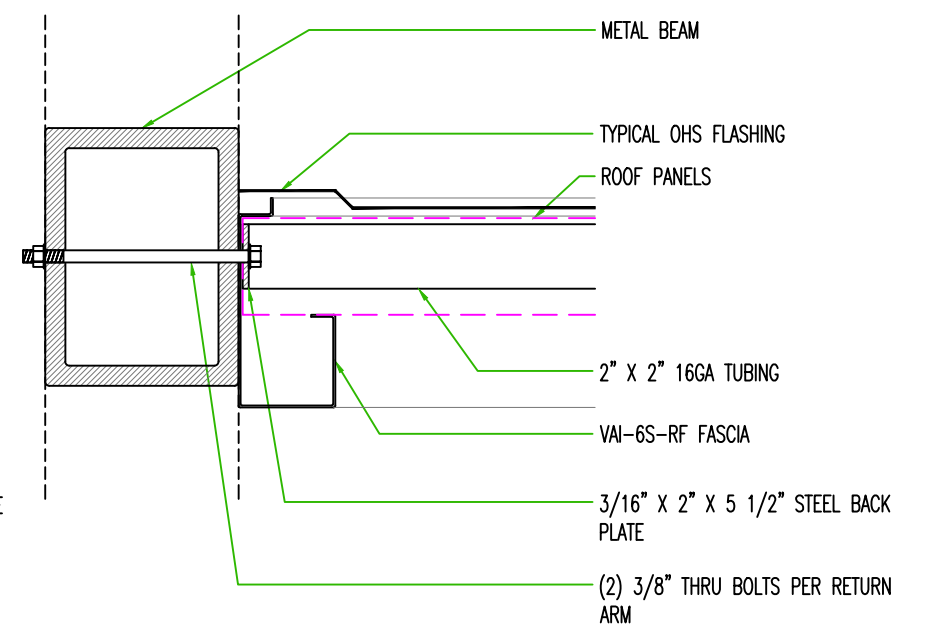
B LOWER ATTACHMENT DETAIL (STUCCO WALL)
SCALE: NTS



B LOWER ATTACHMENT DETAIL (EIFS WALL)
SCALE: NTS



B LOWER ATTACHMENT DETAIL (SOLID FILL CMU)
SCALE: NTS



B LOWER ATTACHMENT DETAIL (METAL BEAM)
SCALE: NTS

SHEET DESCRIPTION

ATTACHMENT DETAILS

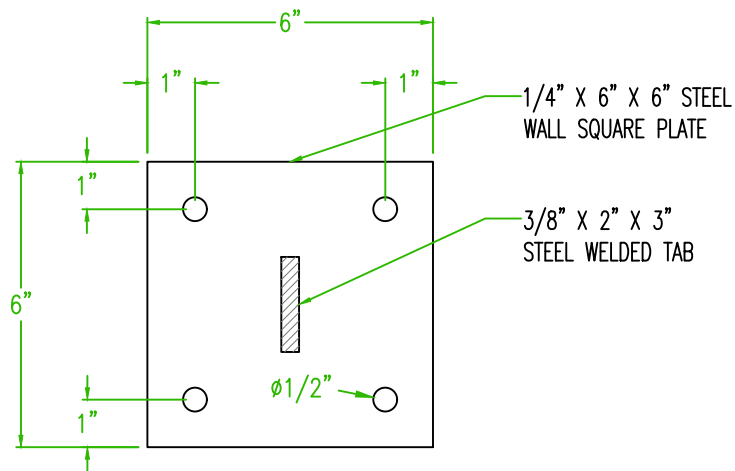
DATE:

DRAWN:

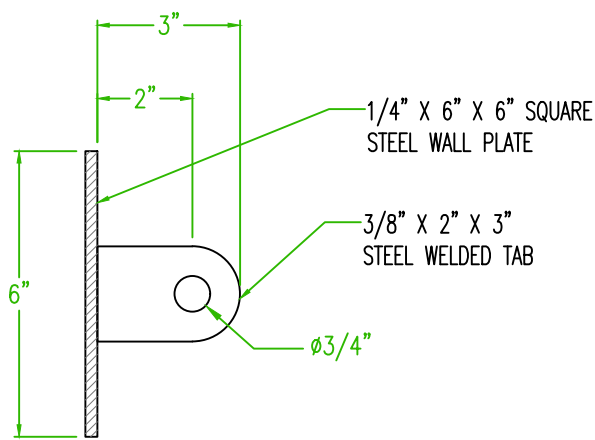
SHEET NUMBER

7

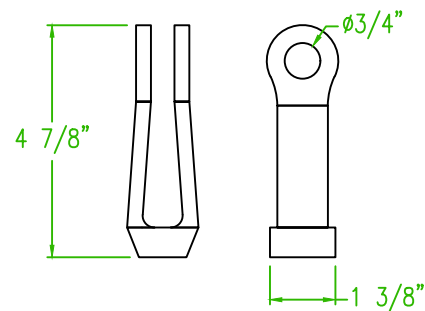
SHEET: 7 OF 8 SHEETS



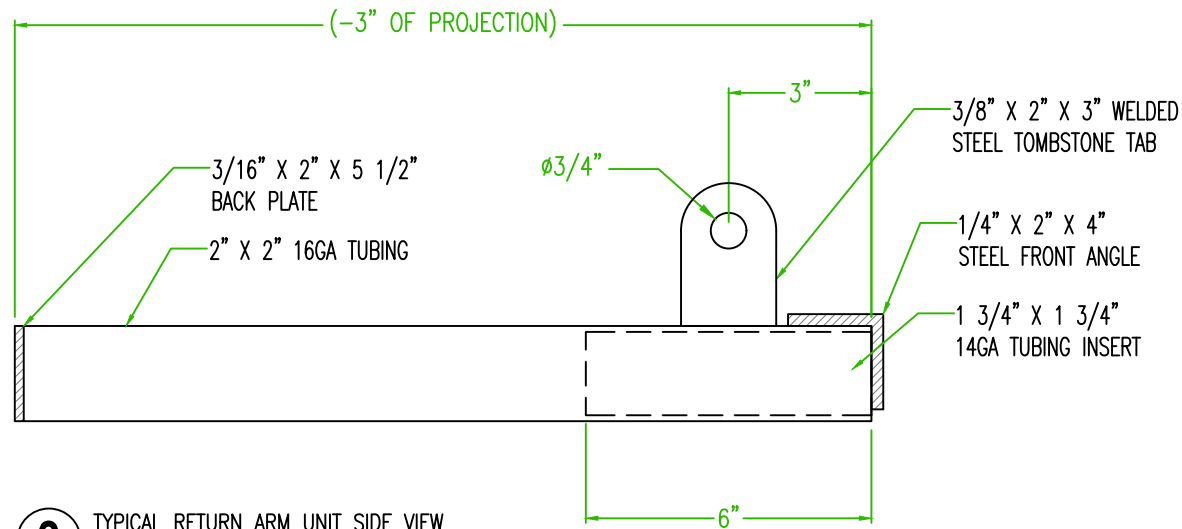
1 OVERHEAD SQUARE WALL PLATE W/TAB FRONT VIEW
SCALE: NTS



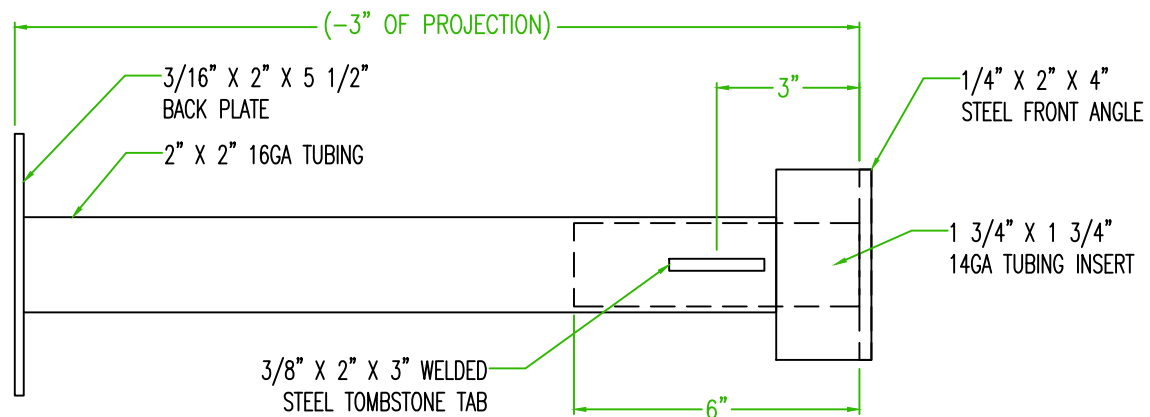
1-A OVERHEAD SQUARE WALL PLATE W/TAB SIDE VIEW
SCALE: NTS



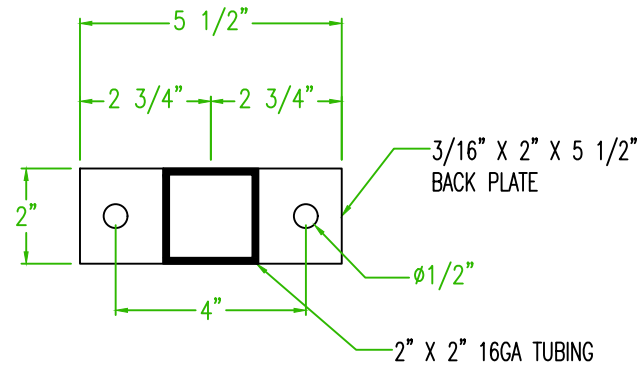
2 TYPICAL FORGED STEEL CLEVIS BRACKET
SCALE: NTS



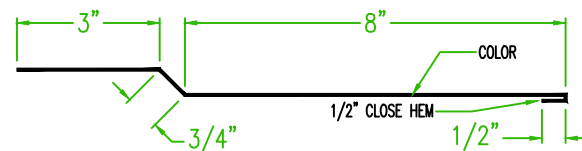
3 TYPICAL RETURN ARM UNIT SIDE VIEW
SCALE: NTS



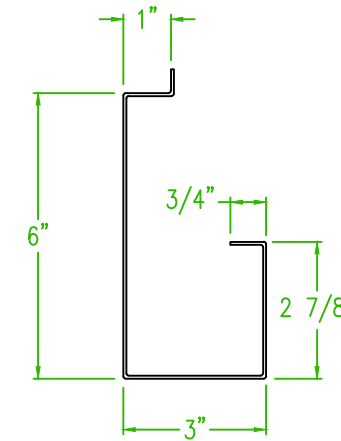
3-A TYPICAL RETURN ARM UNIT TOP VIEW
SCALE: NTS



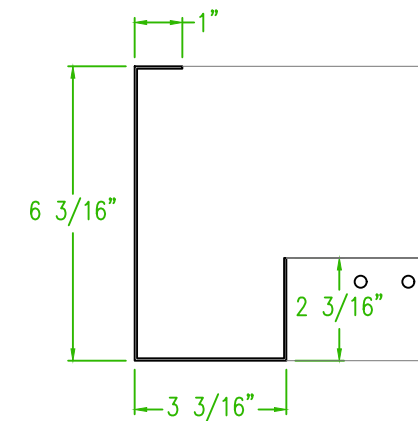
3-B RETURN ARM & WELDED BACK PLATE FRONT VIEW
SCALE: NTS



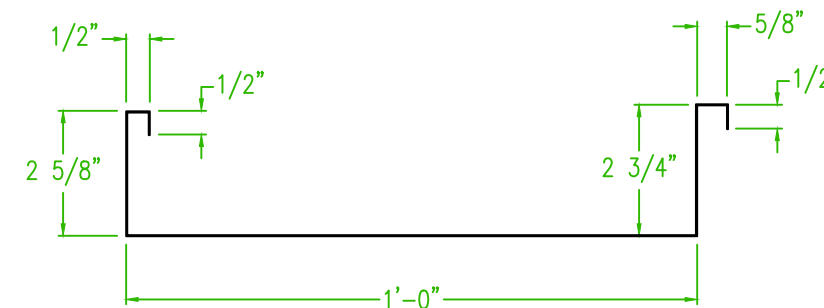
4 OHS 24GA FLASHING
SCALE: NTS



5 6\"/>



6 6\"/>



7 24GA HIGH SEAM ROOF PANEL
SCALE: NTS