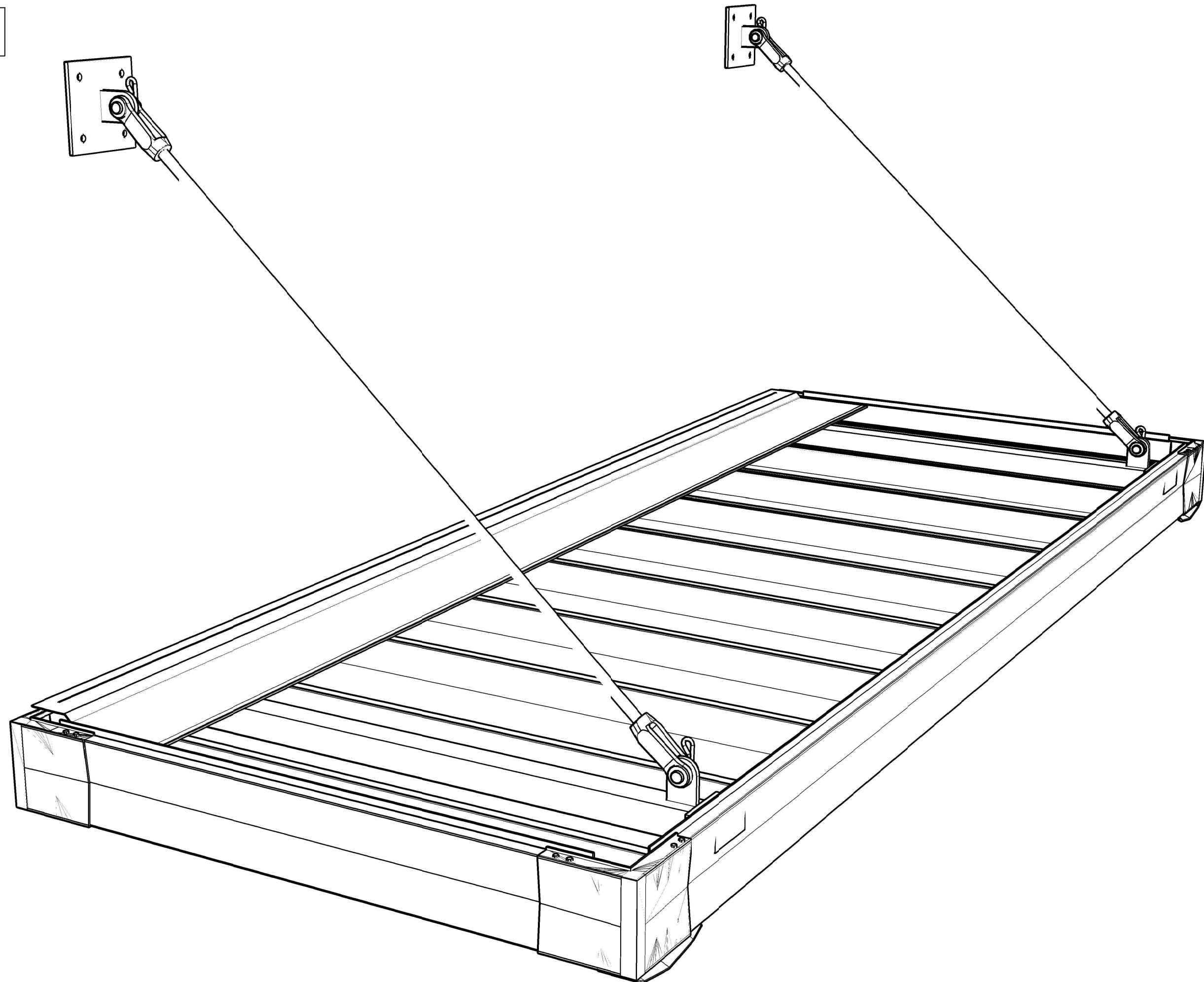


VAI-6S-RF

QTY:  
10'-0" X 4'-0"



**VAI**  
ARCHITECTURAL  
CANOPIES

JOB NO:

SALES:

SHEET DESCRIPTION

3D CONCEPTUAL VIEW

DATE:

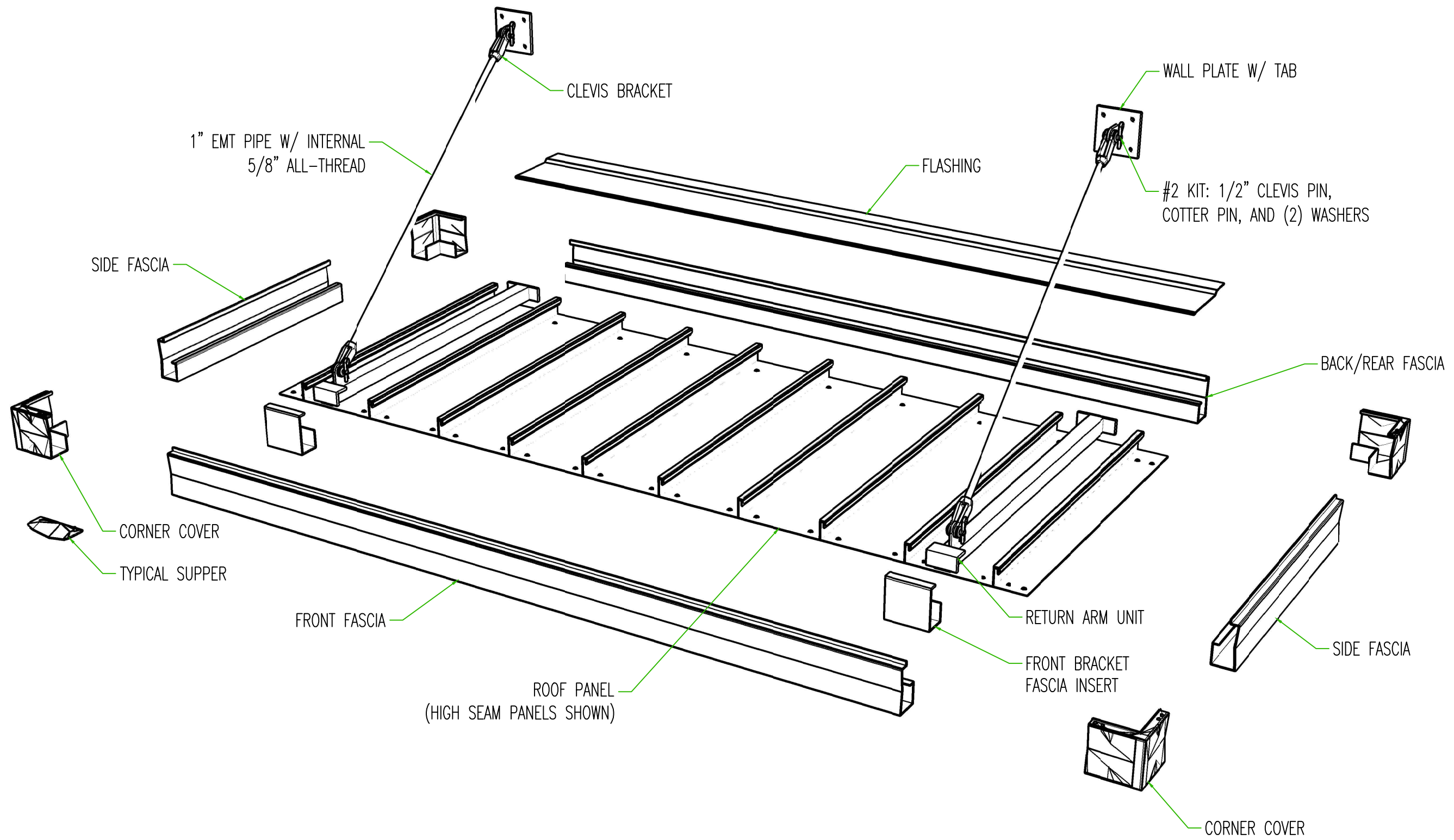
DRAWN:

SHEET NUMBER

1

SHEET: 1 OF 8 SHEETS

**3D** CONCEPTUAL 3D VIEW  
SCALE: NTS



**SHEET DESCRIPTION**

3D ASSEMBLY VIEW

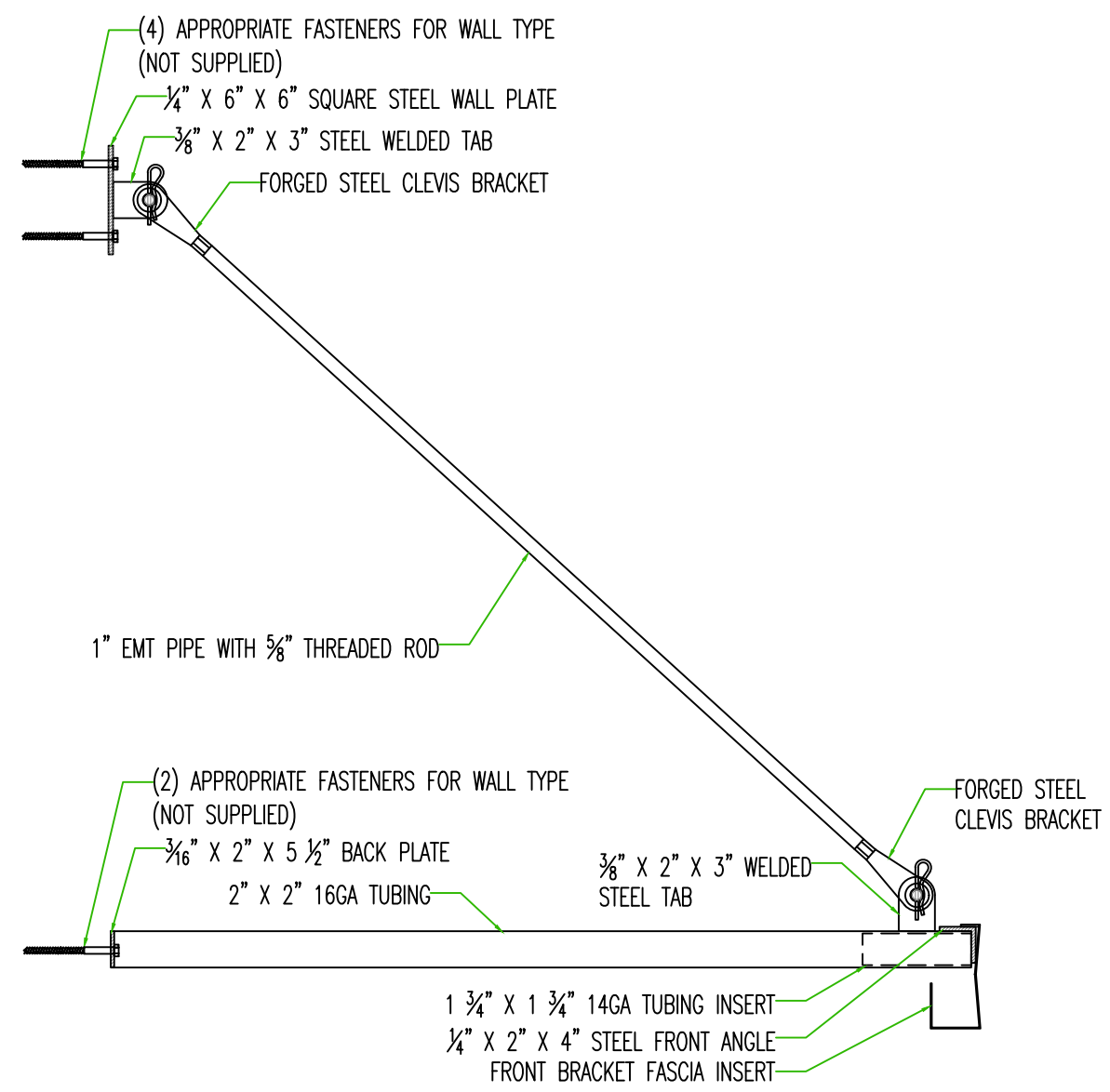
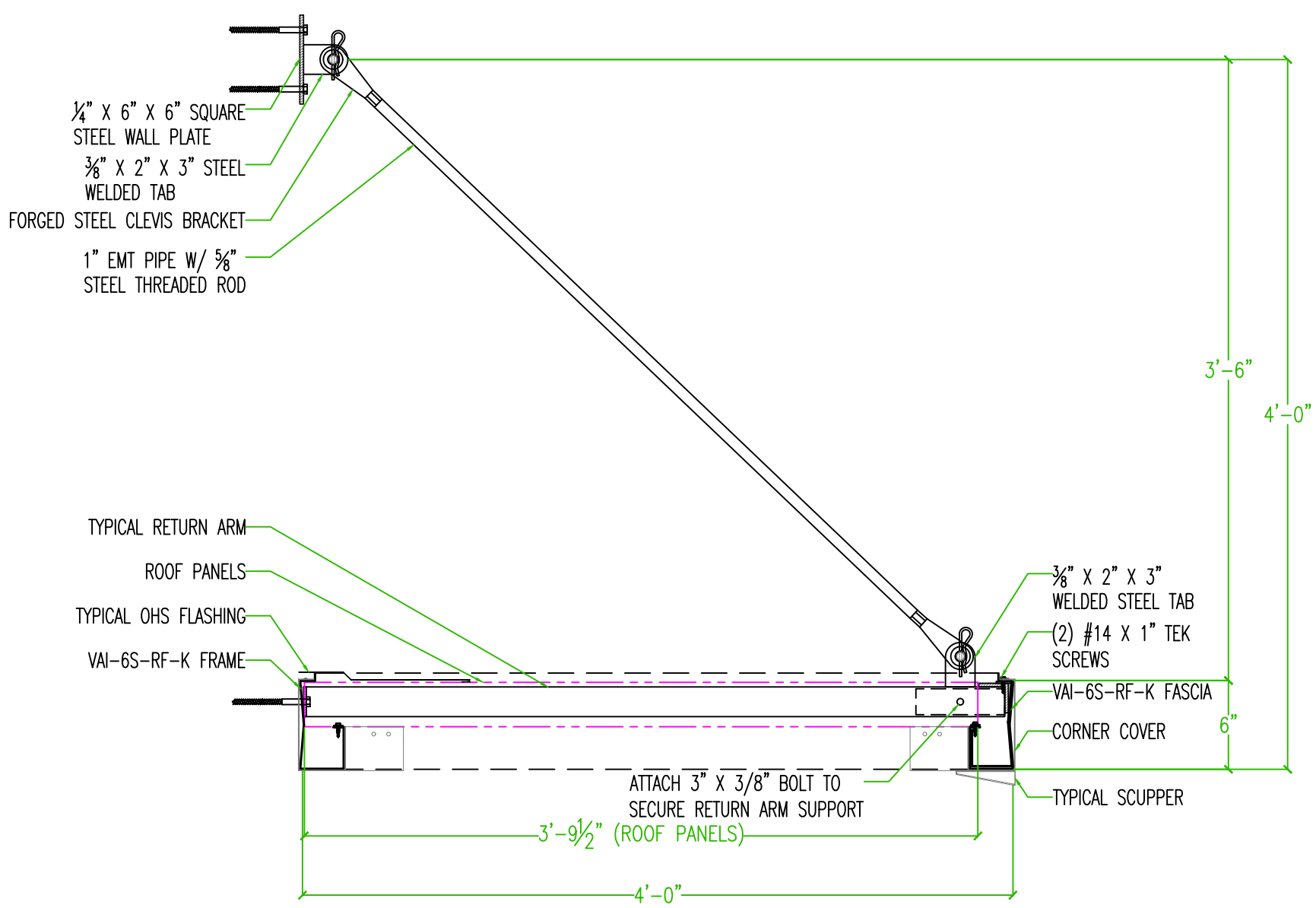
DATE:

DRAWN:

**SHEET NUMBER**

**2**

SHEET: 2 OF 8 SHEETS



**1** SIDE VIEW  
SCALE: NTS

**2** HANGER ROD ASSEMBLY  
SCALE: NTS

**SHEET DESCRIPTION**

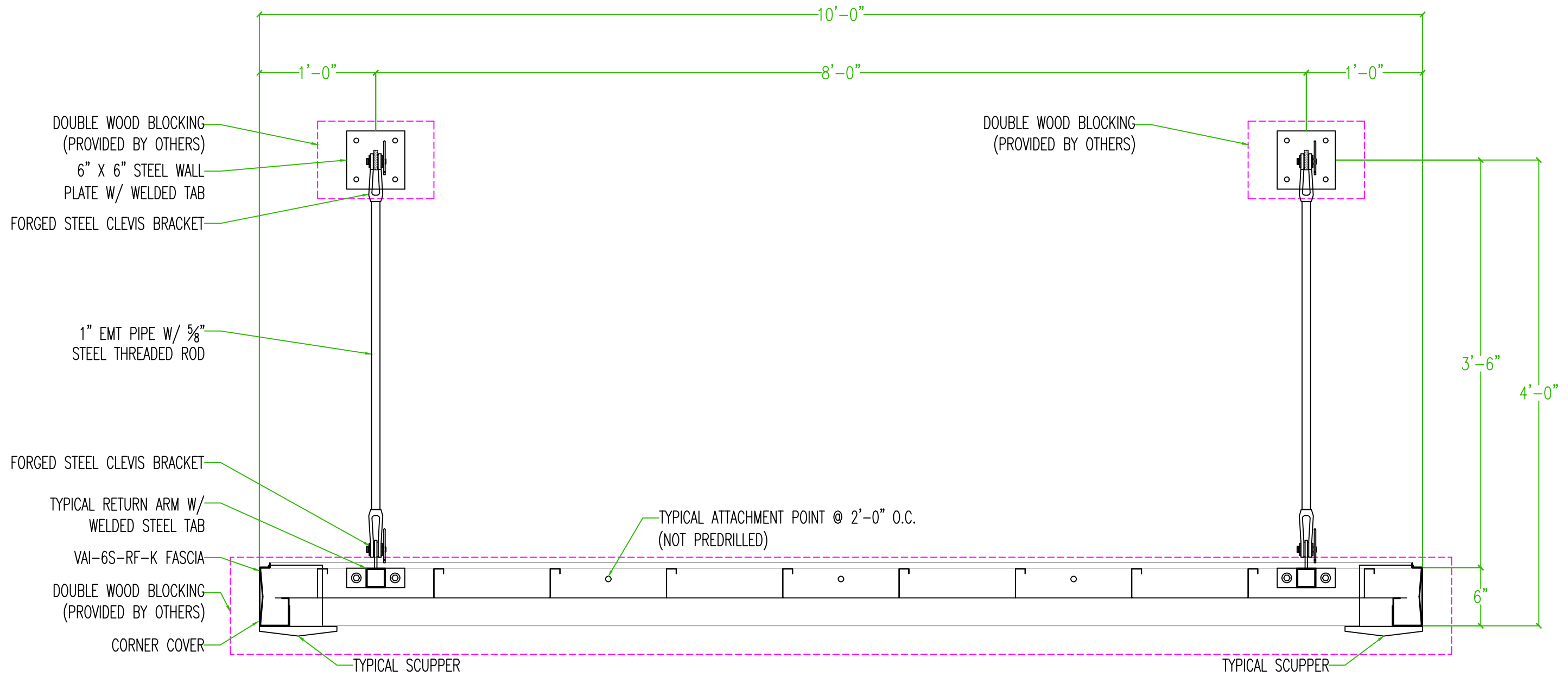
SIDE VIEW

DATE:

DRAWN:

**SHEET NUMBER**

**3**



**1** FRONT VIEW  
SCALE: NTS

SHEET DESCRIPTION

FRONT VIEW

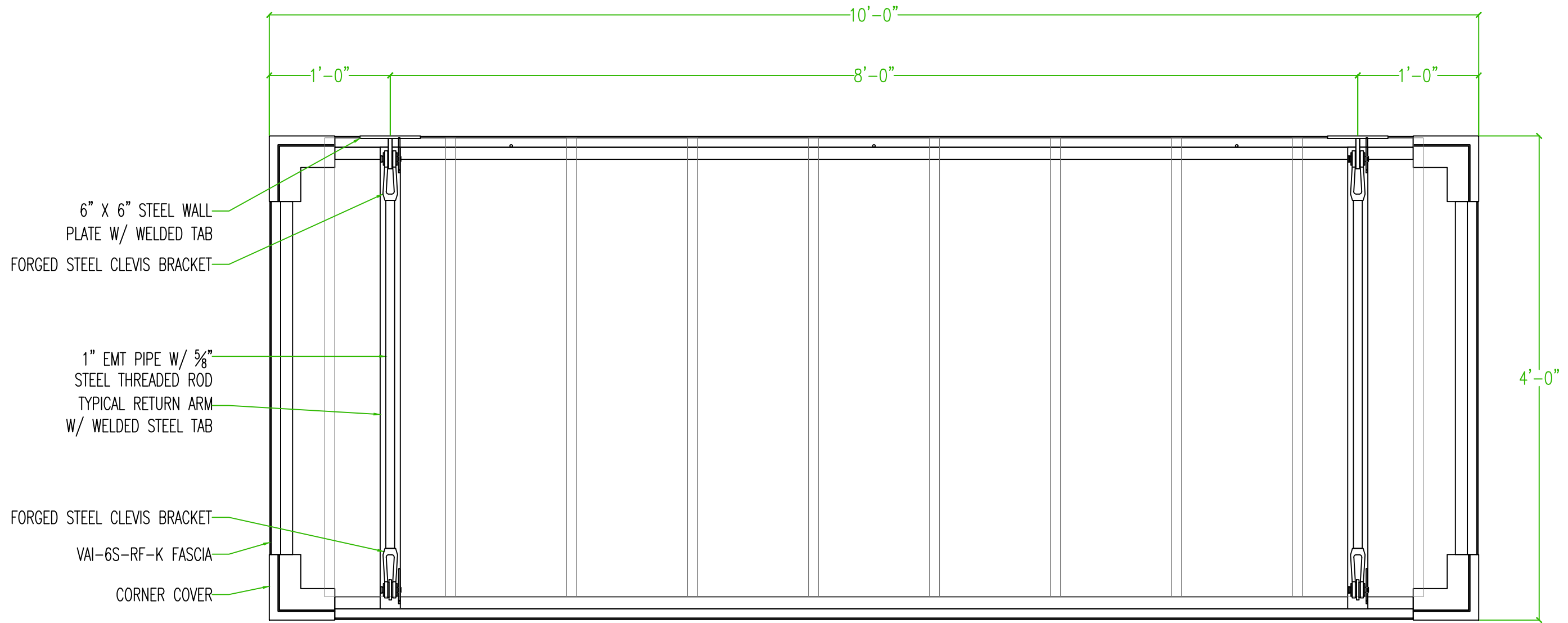
DATE:

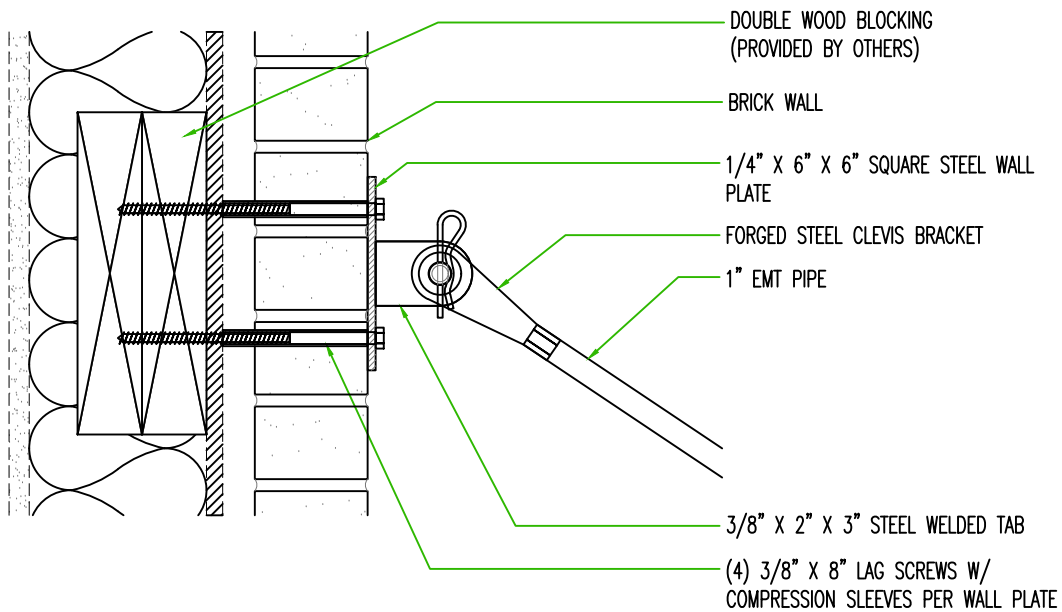
DRAWN:

SHEET NUMBER

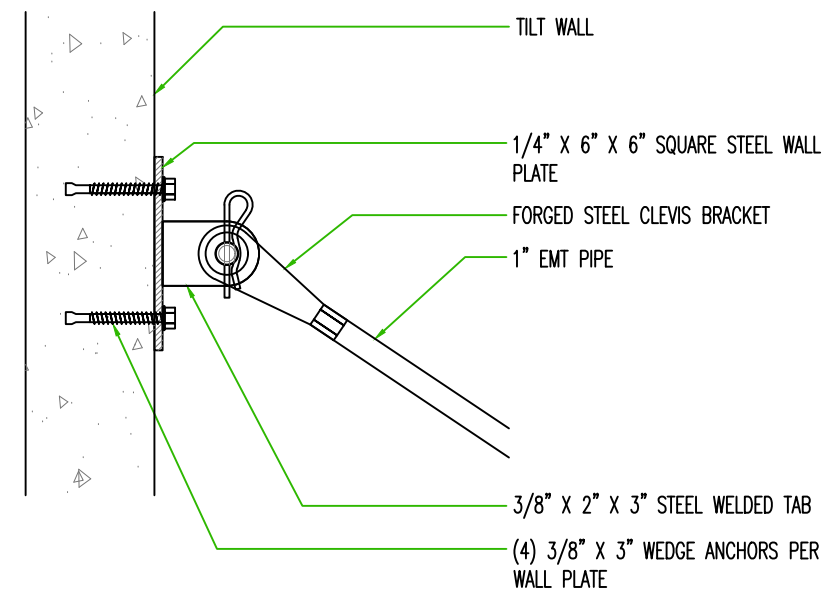
**4**

SHEET: 4 OF 8 SHEETS

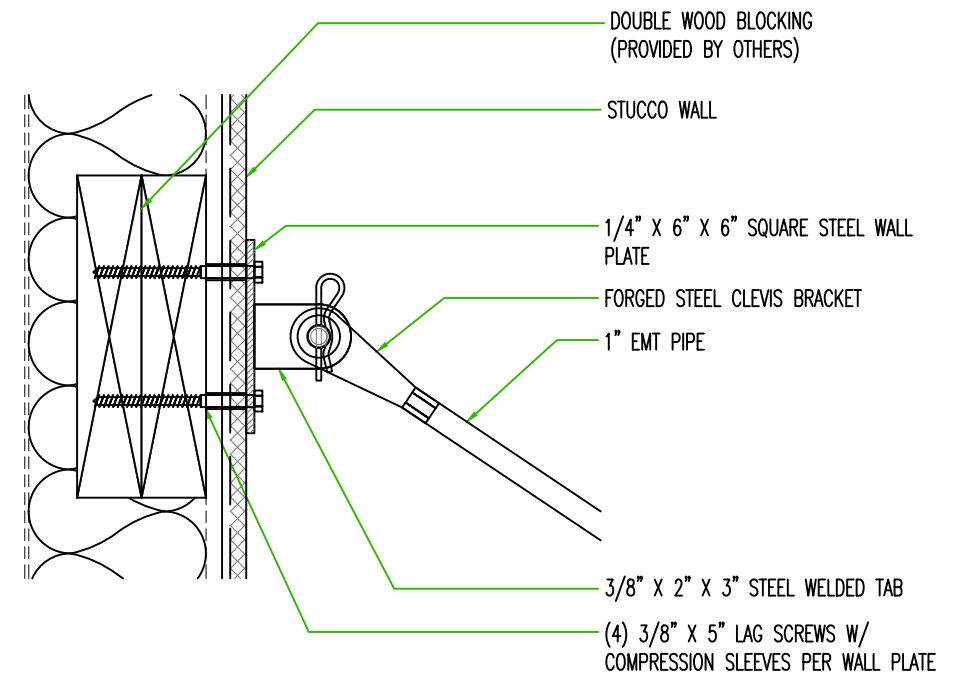




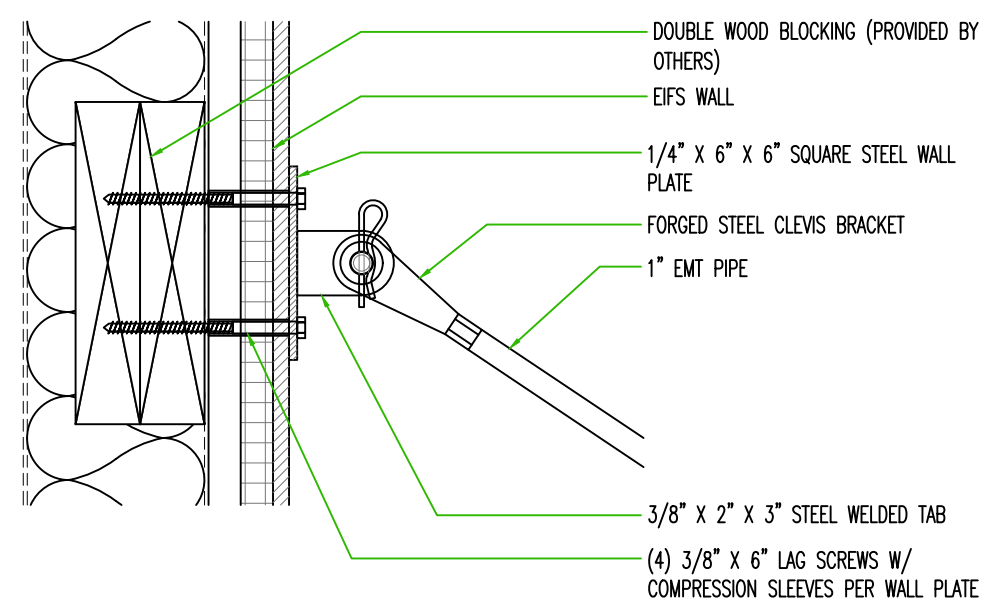
**A** UPPER ATTACHMENT DETAIL (BRICK WALL)  
SCALE: NTS



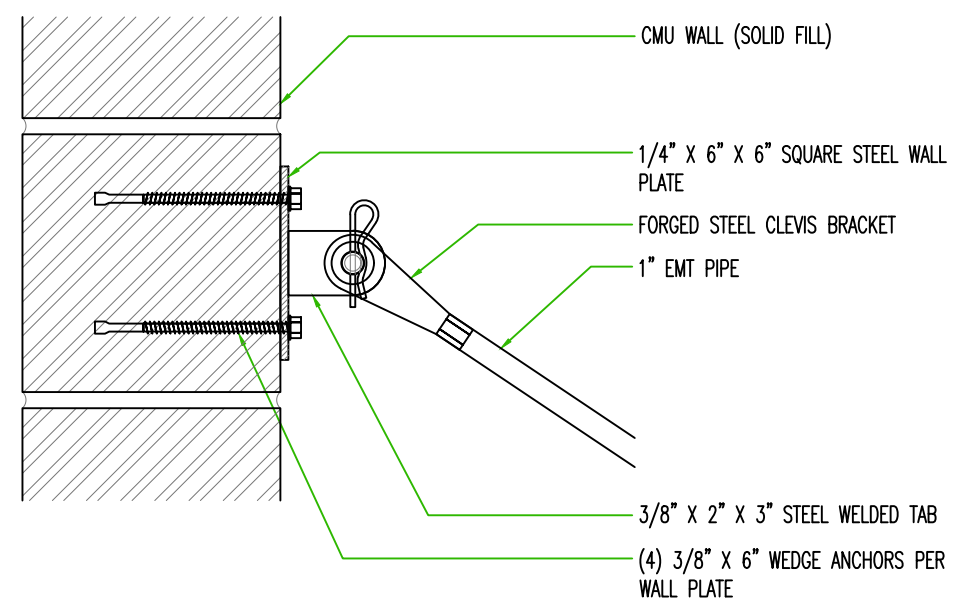
**A** UPPER ATTACHMENT DETAIL (TILT WALL)  
SCALE: NTS



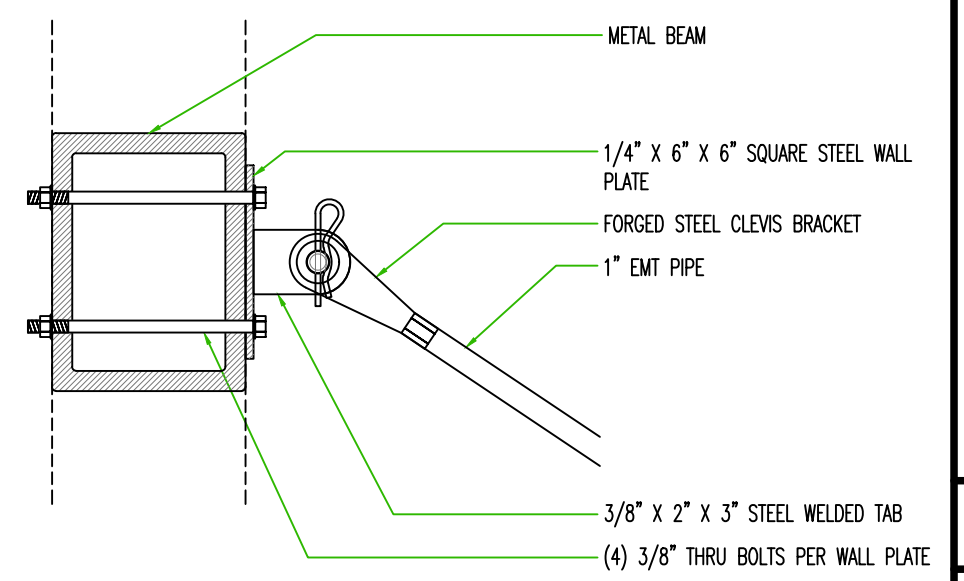
**A** UPPER ATTACHMENT DETAIL (STUCCO WALL)  
SCALE: NTS



**A** UPPER ATTACHMENT DETAIL (EIFS WALL)  
SCALE: NTS



**A** UPPER ATTACHMENT DETAIL (SOLID FILL CMU)  
SCALE: NTS



**A** UPPER ATTACHMENT DETAIL (METAL BEAM)  
SCALE: NTS

JOB NO:

SALES:

SHEET DESCRIPTION

ATTACHMENT DETAILS

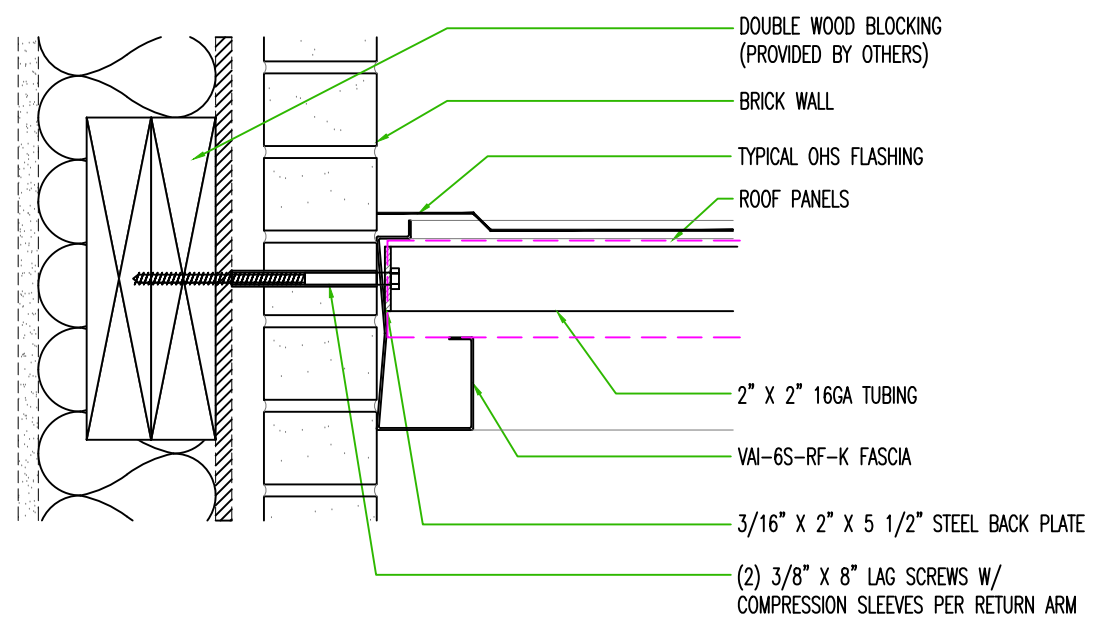
DATE:

DRAWN:

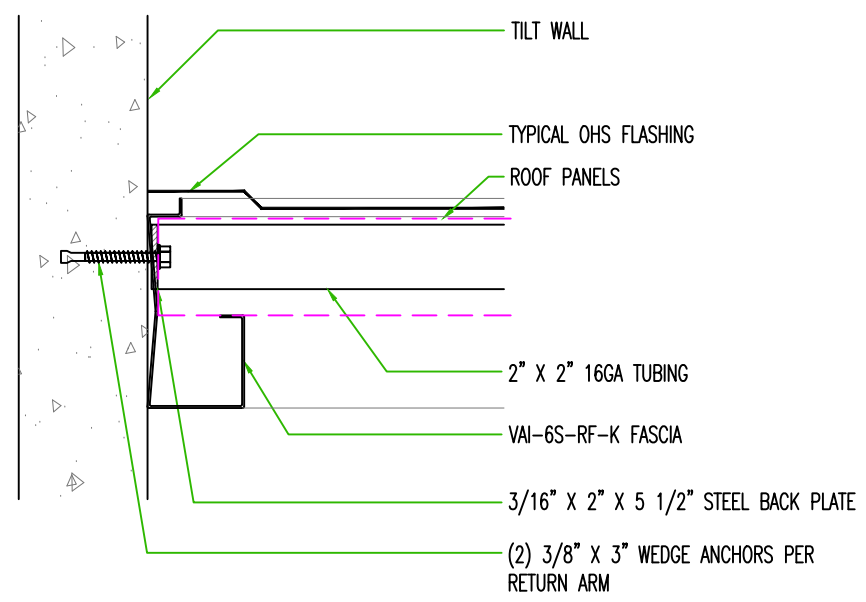
SHEET NUMBER

**6**

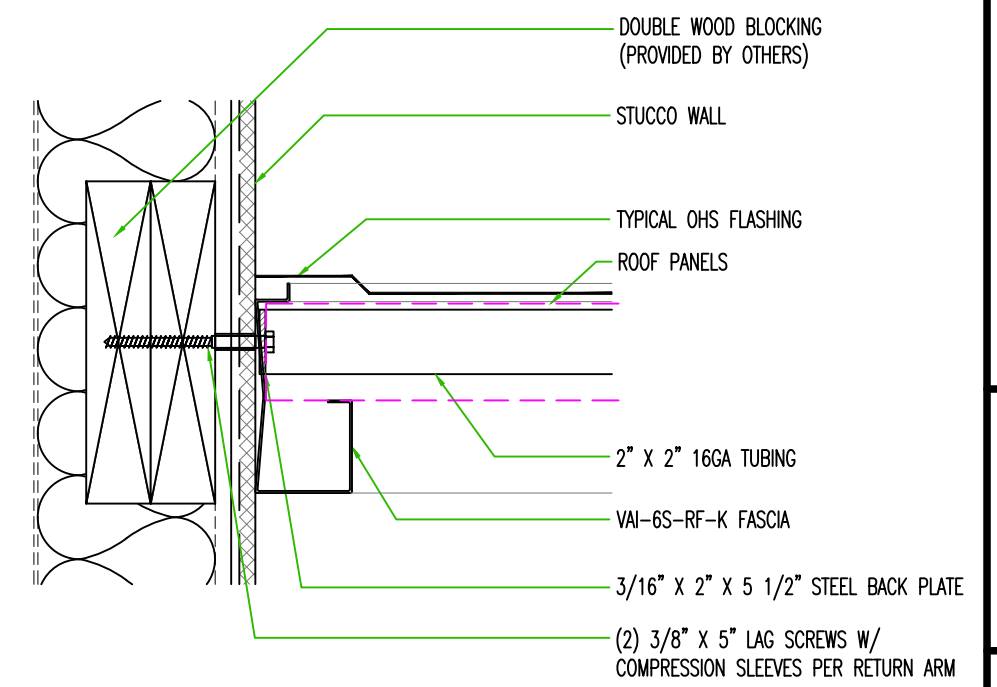
SHEET: 6 OF 8 SHEETS



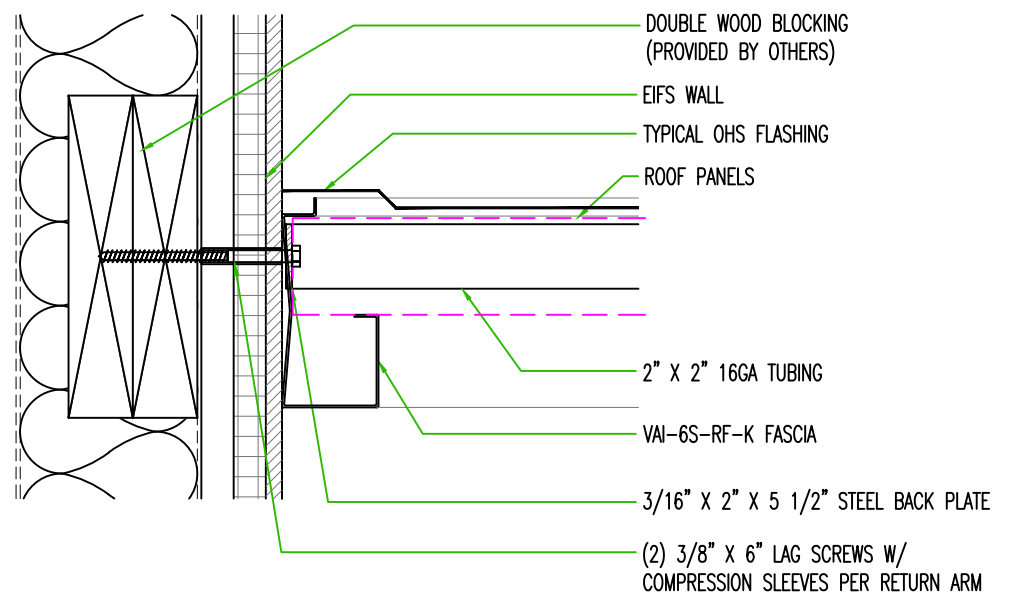
**B** LOWER ATTACHMENT DETAIL (BRICK WALL)  
SCALE: NTS



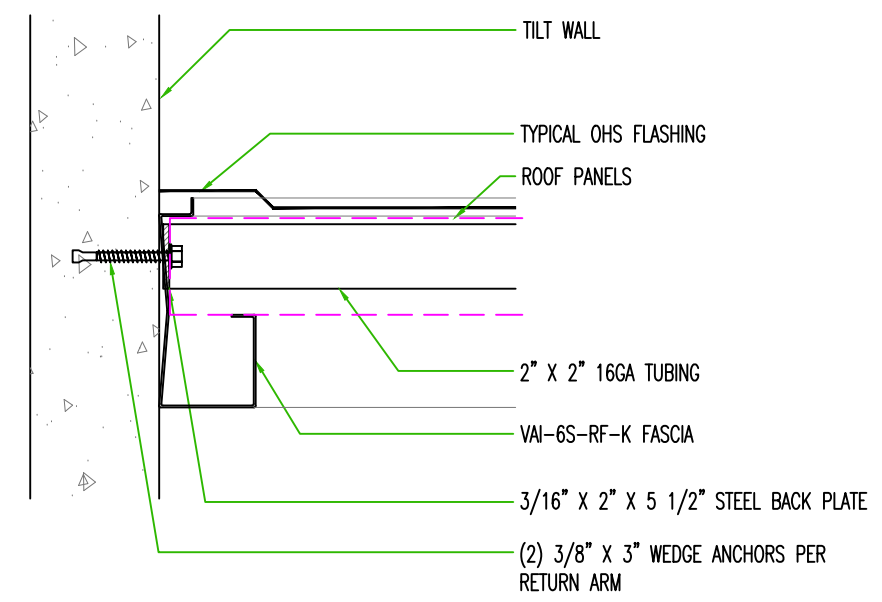
**B** LOWER ATTACHMENT DETAIL (TILT WALL)  
SCALE: NTS



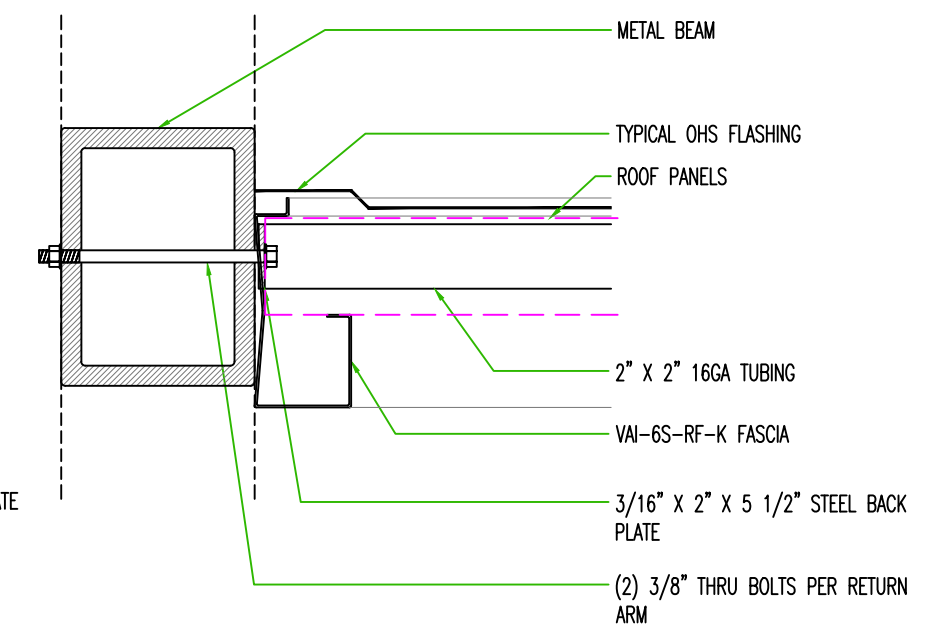
**B** LOWER ATTACHMENT DETAIL (STUCCO WALL)  
SCALE: NTS



**B** LOWER ATTACHMENT DETAIL (EIFS WALL)  
SCALE: NTS



**B** LOWER ATTACHMENT DETAIL (SOLID FILL CMU)  
SCALE: NTS



**B** LOWER ATTACHMENT DETAIL (METAL BEAM)  
SCALE: NTS

JOB NO:

SALES:

SHEET DESCRIPTION  
ATTACHMENT DETAILS

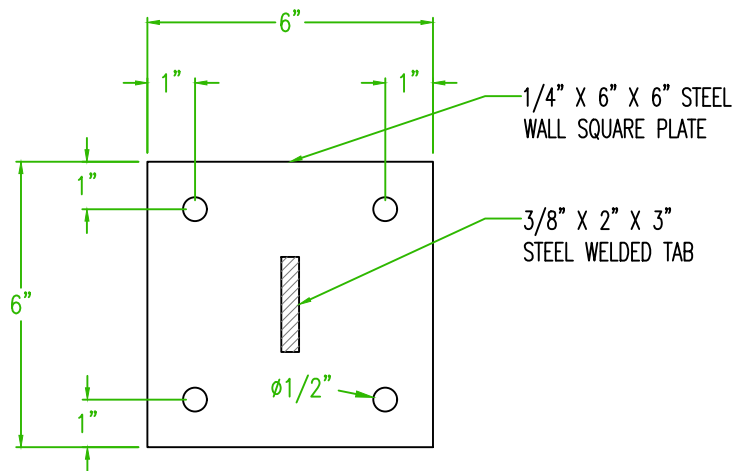
DATE:

DRAWN:

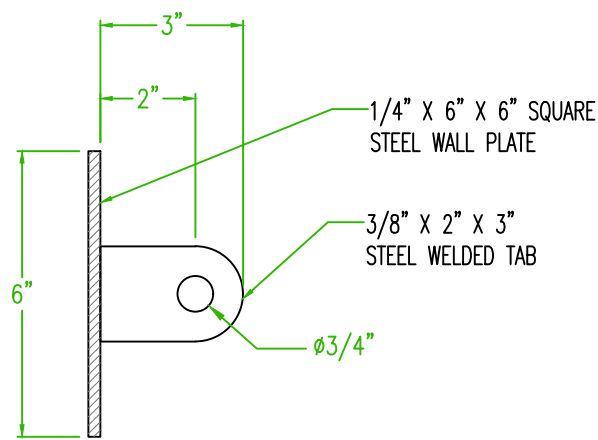
SHEET NUMBER

7

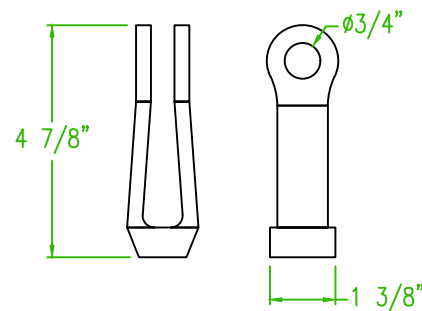
SHEET: 7 OF 8 SHEETS



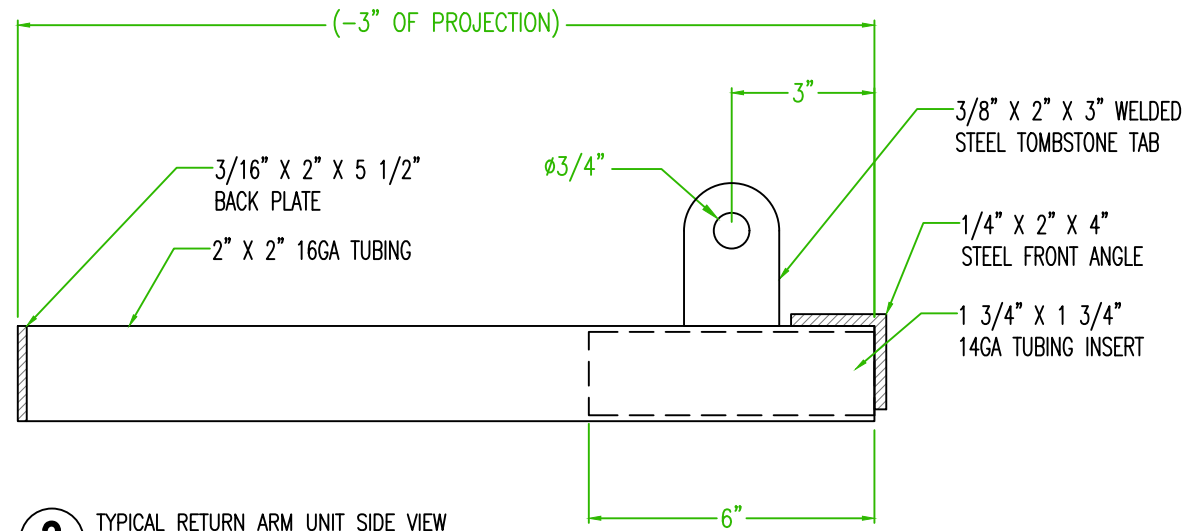
**1** OVERHEAD SQUARE WALL PLATE W/TAB FRONT VIEW  
SCALE: NTS



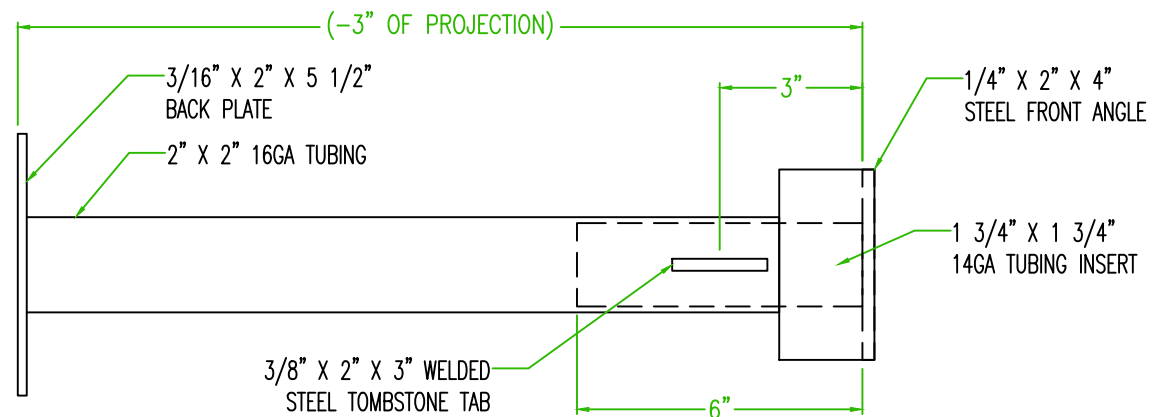
**1-A** OVERHEAD SQUARE WALL PLATE W/TAB SIDE VIEW  
SCALE: NTS



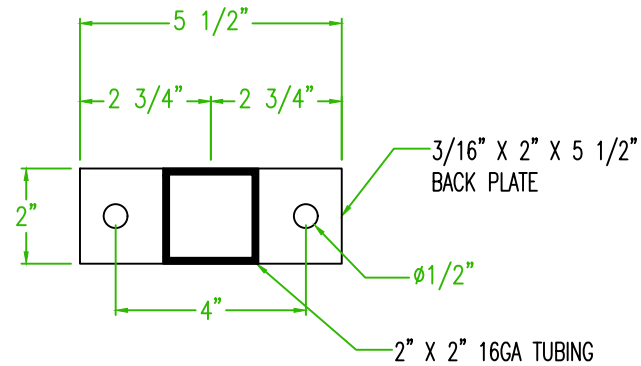
**2** TYPICAL FORGED STEEL CLEVIS BRACKET  
SCALE: NTS



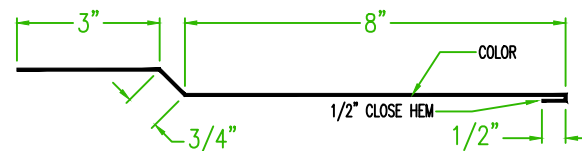
**3** TYPICAL RETURN ARM UNIT SIDE VIEW  
SCALE: NTS



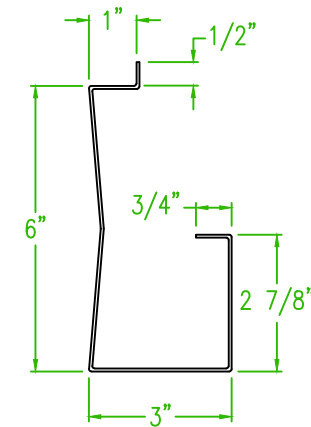
**3-A** TYPICAL RETURN ARM UNIT TOP VIEW  
SCALE: NTS



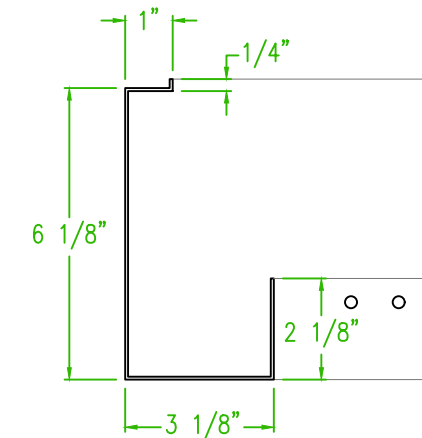
**3-B** RETURN ARM & WELDED BACK PLATE FRONT VIEW  
SCALE: NTS



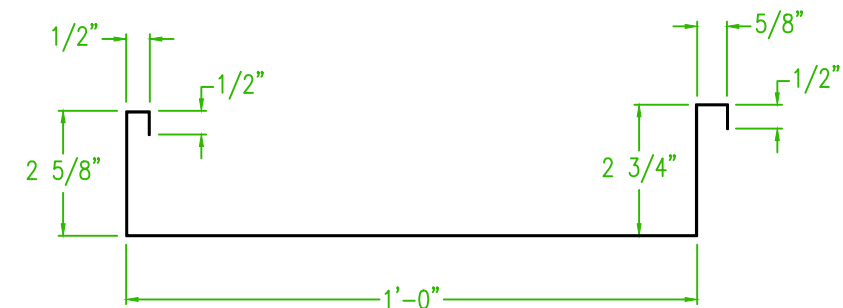
**4** OHS 24GA FLASHING  
SCALE: NTS



**5** 6" VAI-6S-RF-K FASCIA  
SCALE: NTS



**6** 6" VAI-6S-RF-K CORNER COVER  
SCALE: NTS



**7** 24GA HIGH SEAM ROOF PANEL  
SCALE: NTS