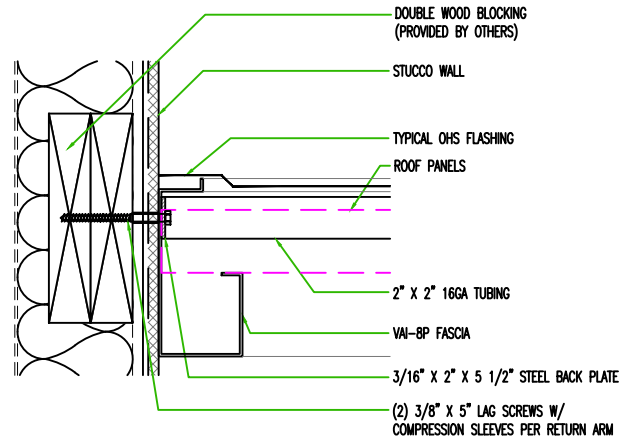
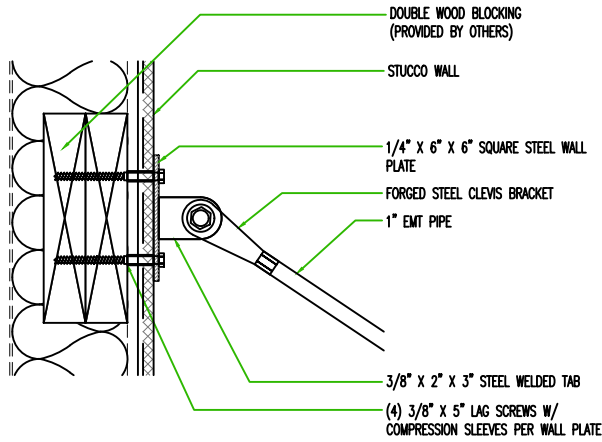


TYPE ATTACHMENT DETAILS (CONT.)

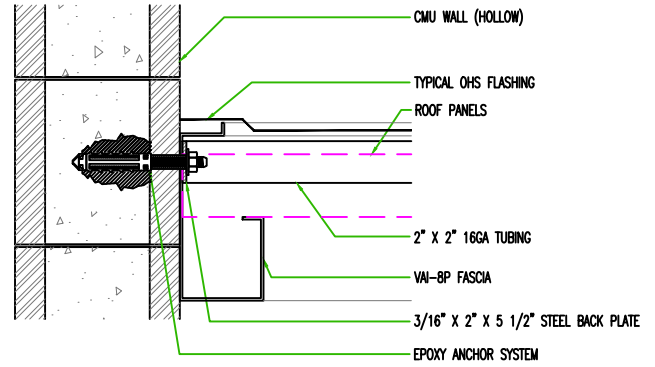
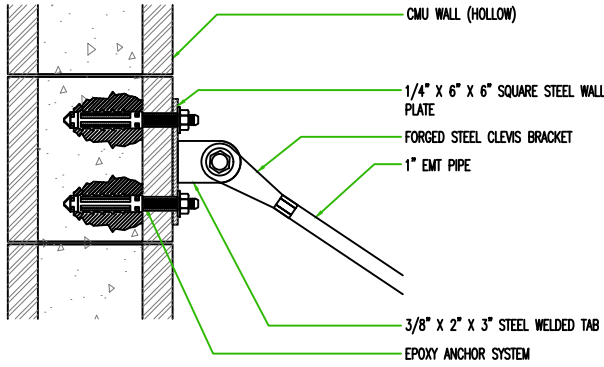
TOP OHS ATTACHMENT

BOTTOM RETURN ARM ATTACHMENT

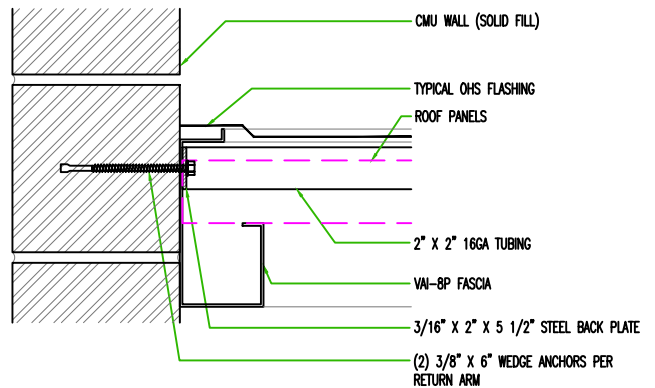
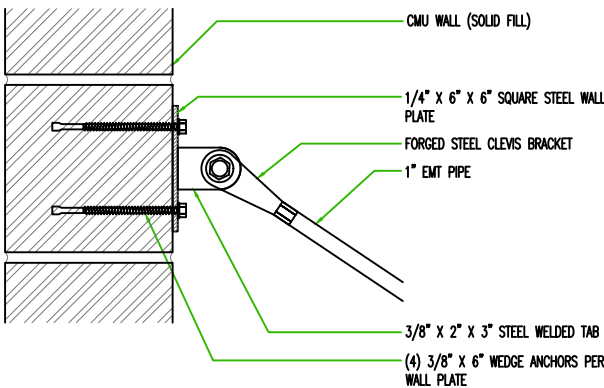
Stucco Wall



CMU (Hollow)



CMU (Solid Fill)



Steel Beam

