
VAI
ARCHITECTURAL
CANOPIES

VAI - OHS CANOPY CATALOG

"It's not just an awning, it's your image"

VAI-8P-4T1



VAI-6S-RF
With Custom Supports



VAI-6P



VAI-6S-RF-K



VAI-8P





TABLE OF CONTENTS

VAI-OHS CANOPY COMPONENT DIAGRAM6

FASCIA – ROLL FORM

 VAI-6S-RF.....7

 VAI-6S-RF-K.....7

FASCIA – EXTRUDED

 VAI-6P8

 VAI-8P8

 VAI-8P-4T1.....9

ROLL FORM ROOF PANELS

 36” HR ROOF PANEL.....10

 12” HSS ROOF PANEL.....10

EXTRUDED ROOF PANELS

 6” TOP PAN.....11

 6” BOTTOM PAN.....11

 6” SELF MATING PAN.....11

TABLE OF CONTENTS

WALL PLATES WITH TABS

6" SQUARED PLATE.....	12
6" DIAMOND PLATE.....	12
6" CIRCLE PLATE.....	13
6" X 3" PLATE.....	13

MISCELLANEOUS COMPONENTS

STEEL STANDARD TAB.....	14
STEEL STANDARD EYE-NUT.....	14
5/8" X 5" STEEL STANDARD CLEVIS BRACKET.....	15
1" STEEL ROD COVER.....	15
5/8" STEEL THREADED ROD.....	16
FASCIA CORNERS.....	16
FASCIA CORNERS (CONT.).....	17

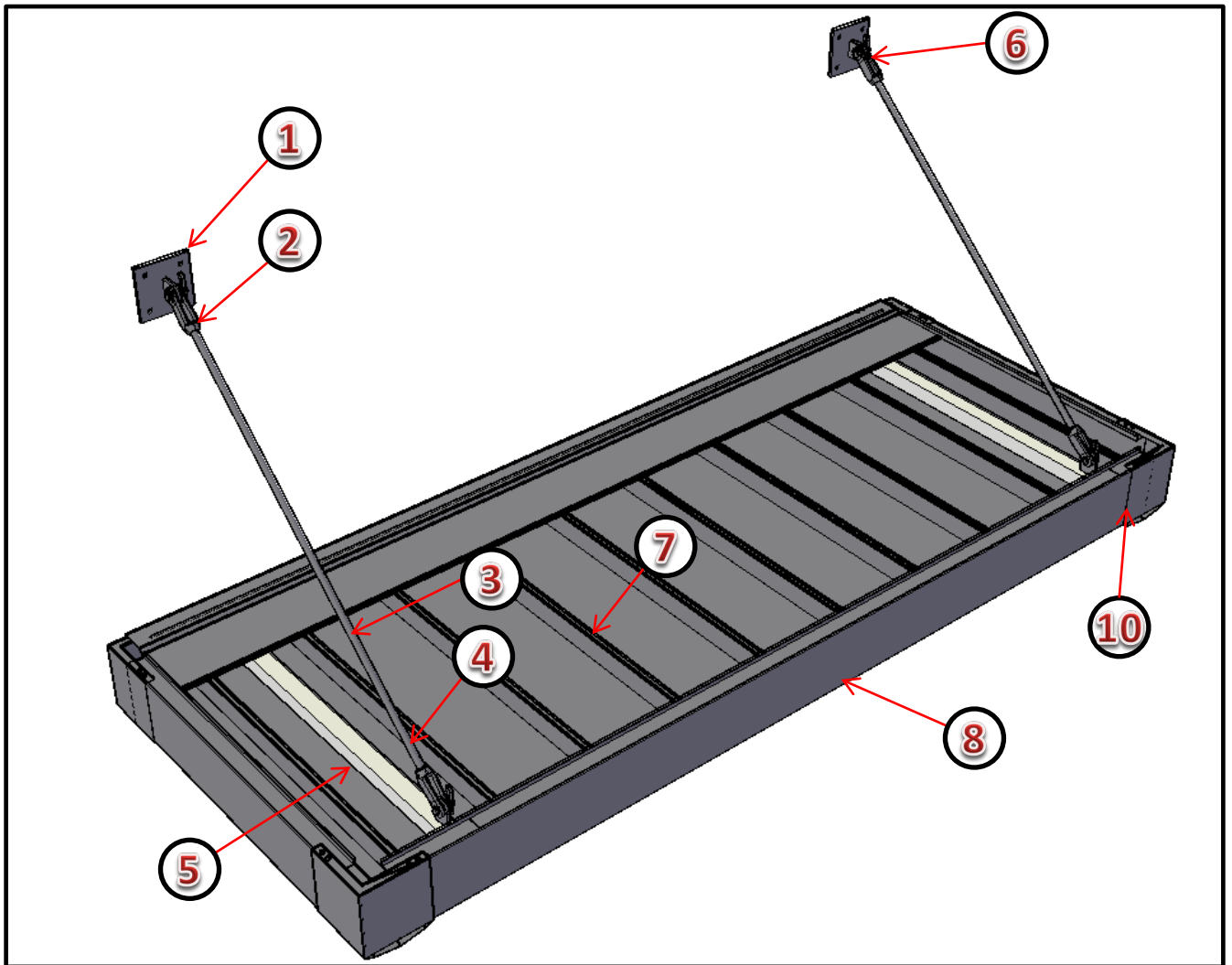
COLOR CHART

STANDARD COLORS.....	18
----------------------	----

ATTACHMENT DETAILS

ATTACHMENT DETAILS.....	19
ATTACHMENT DETAILS.....	20

VAI-OHS CANOPY COMPONENT DIAGRAM



- | | | | |
|----------|-------------------------------------|-----------|---|
| 1 | WALL PLATE W/ TAB | 6 | #2 KIT (1/2" CLEVIS PIN/WASHERS) |
| 2 | FORGED CLEVIS BRACKET | 7 | ROOF PANEL |
| 3 | 5/8" THREADED ROD (INTERNAL) | 8 | GUTTER FASCIA |
| 4 | 1" STEEL PIPE (COVER) | 9 | FLASHING |
| 5 | RETURN ARM UNIT | 10 | CORNER COVERS |

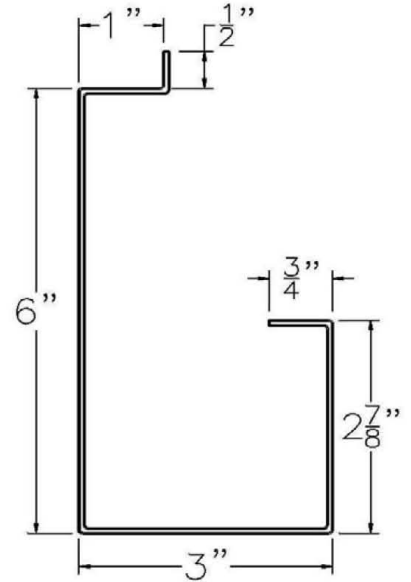
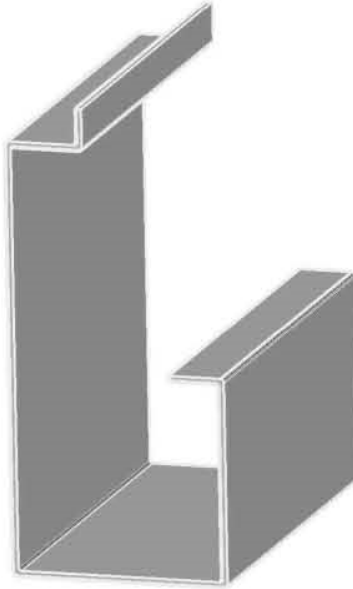
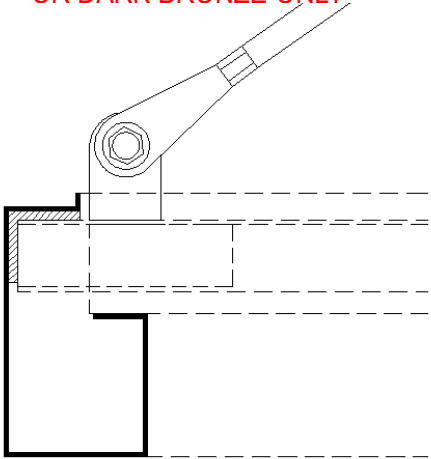
COMPONENTS SHOWN IN RED TEXT ARE AVAILABLE IN VARIOUS OPTIONS.

FASCIA

ITEM NO.	VAI-6S-RF
ITEM DESCRIPTION	6" STANDARD ROLL FORM

SECTION PROPERTIES

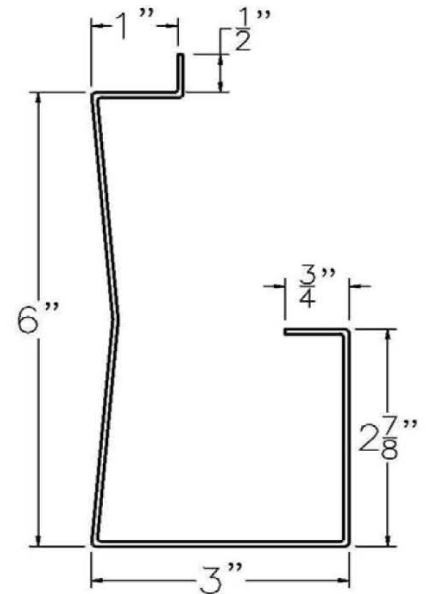
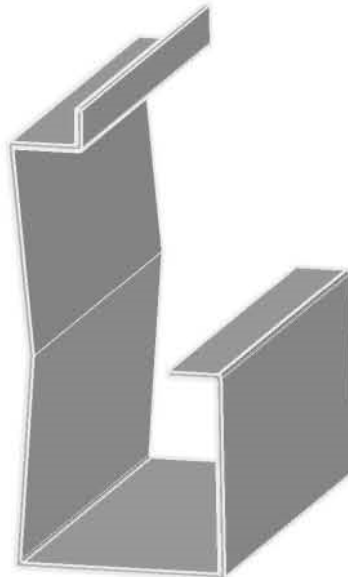
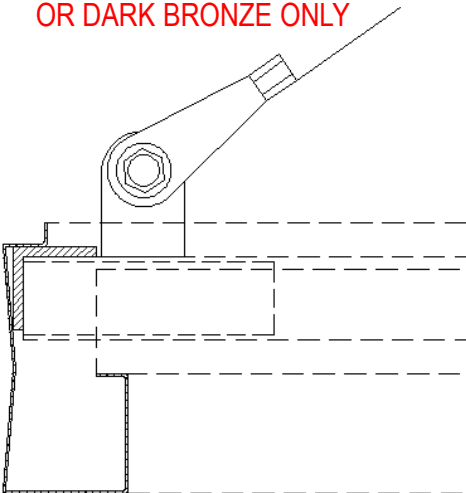
1. ALUMINUM ROLL FORM
2. FASCIA WALL THICKNESS 0.050
3. *AVAILABLE IN WHITE, IVORY,
OR DARK BRONZE ONLY



ITEM NO.	VAI-6S-RF-K
ITEM DESCRIPTION	6" STANDARD ROLL FORM

SECTION PROPERTIES

1. ALUMINUM ROLL FORM
2. FASCIA WALL THICKNESS-0.050
3. *AVAILABLE IN WHITE, IVORY,
OR DARK BRONZE ONLY



FASCIA

ITEM NO.

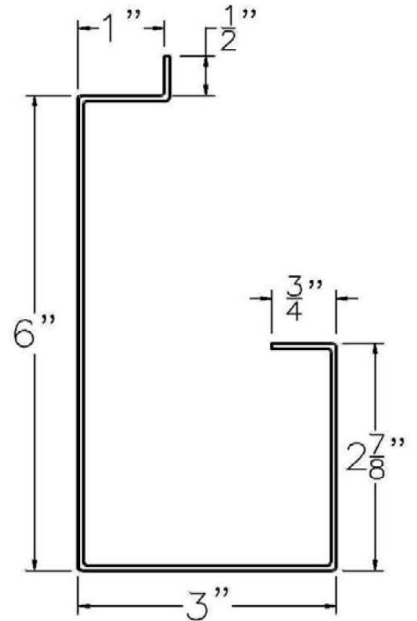
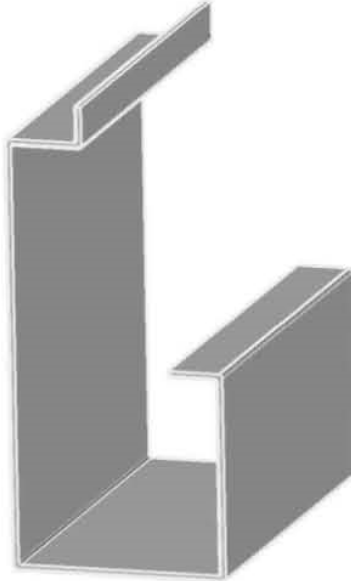
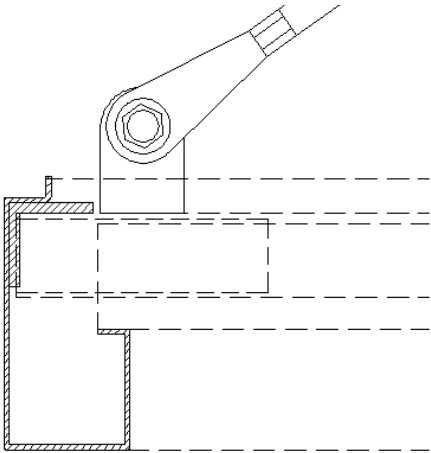
VAI-6P

ITEM DESCRIPTION

6" EXTRUDED PREMIUM

SECTION PROPERTIES

1. ALUMINUM EXTRUDED
2. FASCIA WALL THICKNESS-0.078



ITEM NO.

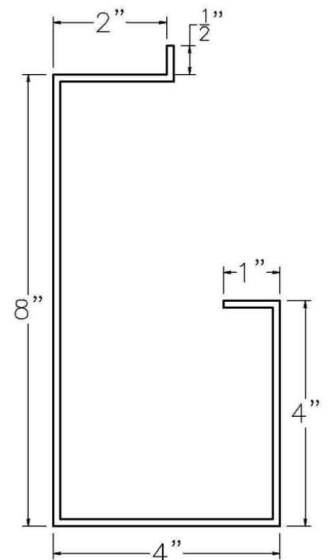
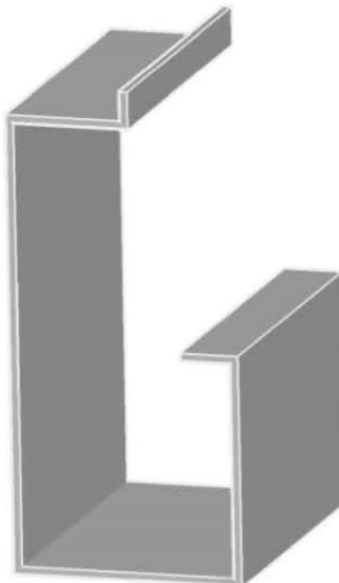
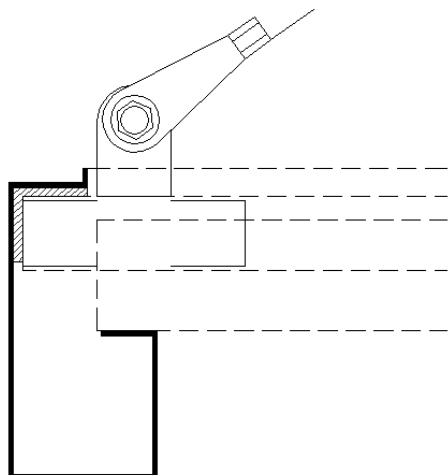
VAI-8P

ITEM DESCRIPTION

8" EXTRUDED PREMIUM

SECTION PROPERTIES

1. ALUMINUM EXTRUDED
2. FASCIA WALL THICKNESS-0.125



FASCIA

ITEM NO.

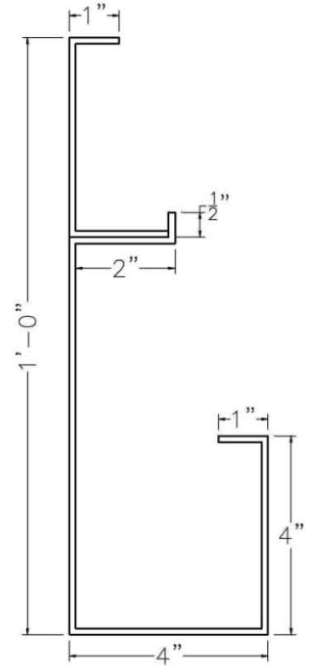
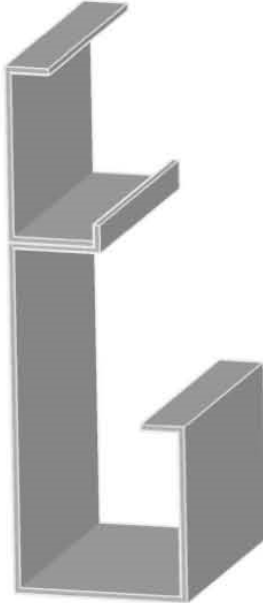
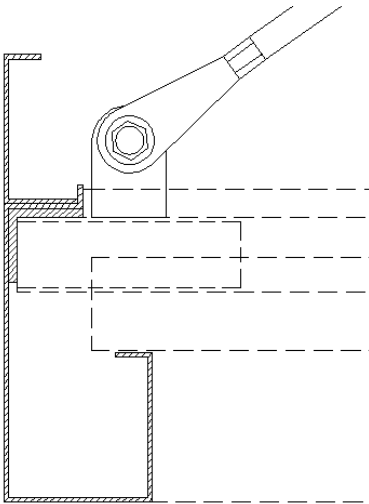
VAI-8P-4T1

ITEM DESCRIPTION

8" EXTRUDED FASCIA WITH 4" EXTENSION

SECTION PROPERTIES

1. ALUMINUM EXTRUDED
2. FASCIA WALL THICKNESS-0.125



ROOF PANEL

ITEM NO.

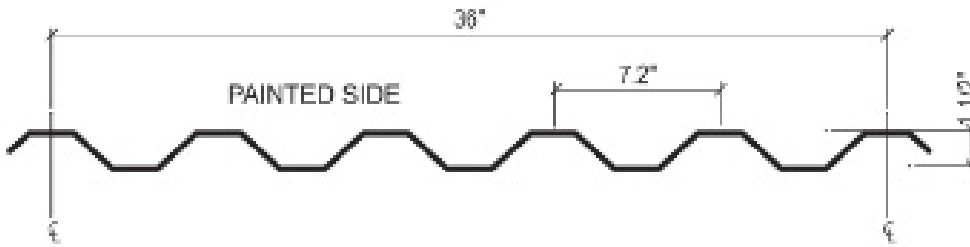
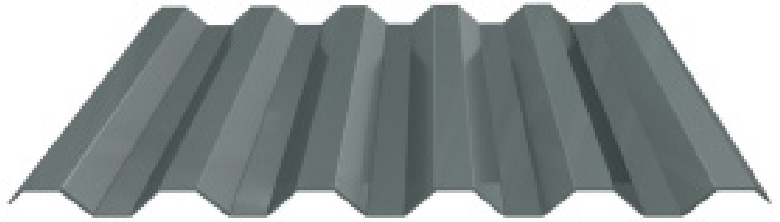
VAI-RF-HR

ITEM DESCRIPTION

36" HEFTI-RIB PANEL

SECTION PROPERTIES

1. COATED STEEL ROOF PANEL
2. WALL THICKNESS-24GA/26GA



ITEM NO.

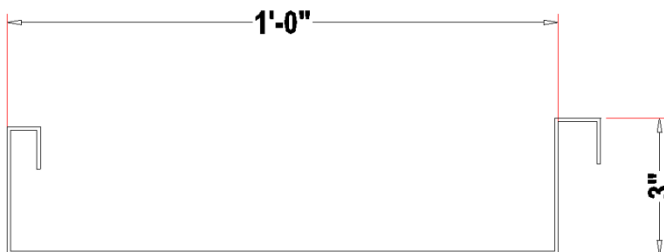
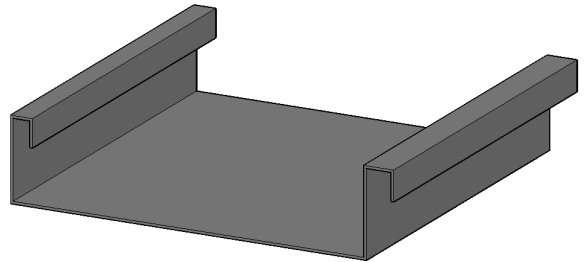
VAI-RF-HSS

ITEM DESCRIPTION

12" HIGH SEAM PANEL

SECTION PROPERTIES

1. COATED STEEL ROOF PANEL
2. WALL THICKNESS-24GA/26GA



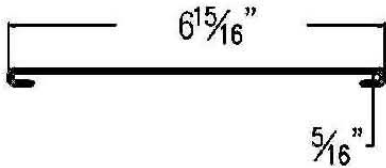
ROOF PANEL

ITEM NO.	VAI-E-TP
-----------------	-----------------

ITEM DESCRIPTION	EXTRUDED TOP PANEL
-------------------------	---------------------------

SECTION PROPERTIES

1. ALUMINUM EXTRUDED PANEL
2. WALL THICKNESS-0.060

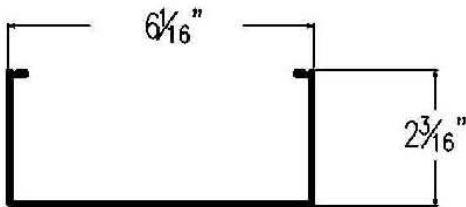
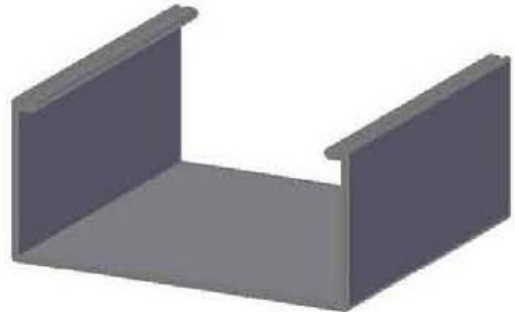


ITEM NO.	VAI-E-BP
-----------------	-----------------

ITEM DESCRIPTION	EXTRUDED BOTTOM PANEL
-------------------------	------------------------------

SECTION PROPERTIES

1. ALUMINUM EXTRUDED PANEL
2. WALL THICKNESS-0.060

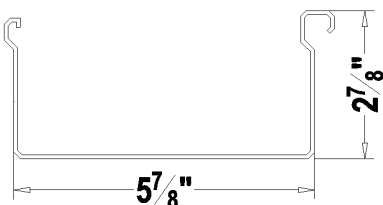
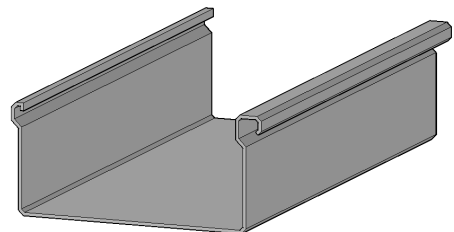


ITEM NO.	VAI-E-SMP
-----------------	------------------

ITEM DESCRIPTION	6" EXTRUDED SELF MATING PAN
-------------------------	------------------------------------

SECTION PROPERTIES

1. ALUMINUM EXTRUDED PANEL
2. WALL THICKNESS-0.065



WALL PLATE

ITEM NO.

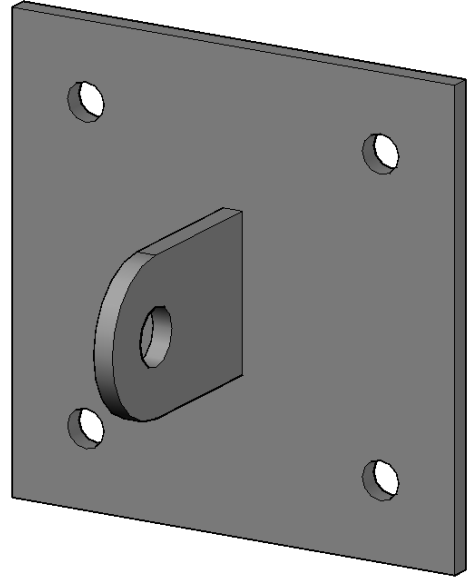
VAI-WP-SPTS

ITEM DESCRIPTION

6" SQUARE PLATE WITH TAB

SECTION PROPERTIES

1. STEEL PLATE
2. WALL THICKNESS-1/4"



ITEM NO.

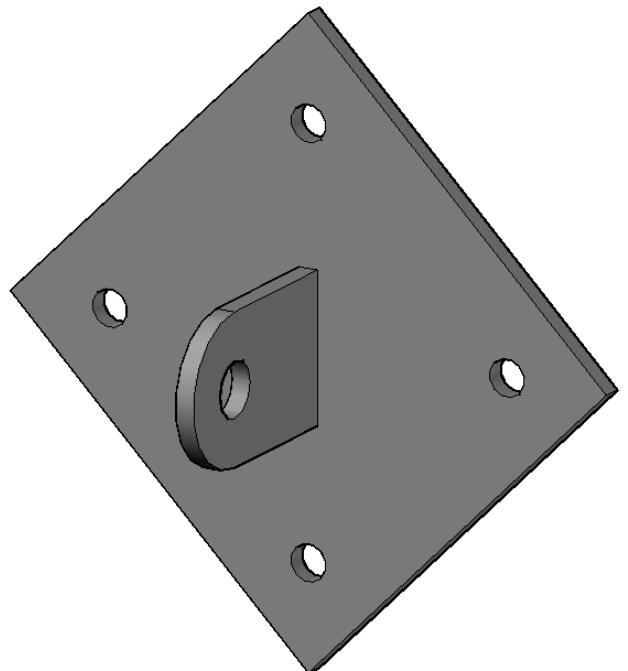
VAI-WP-DPTS

ITEM DESCRIPTION

6" DIAMOND PLATE WITH TAB

SECTION PROPERTIES

1. STEEL PLATE
2. WALL THICKNESS-1/4"

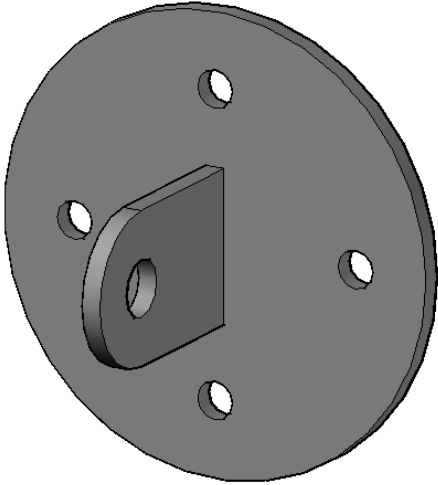


WALL PLATE

ITEM NO.	VAI-WP-CPTS
ITEM DESCRIPTION	6" CIRCLE PLATE WITH TAB

SECTION PROPERTIES

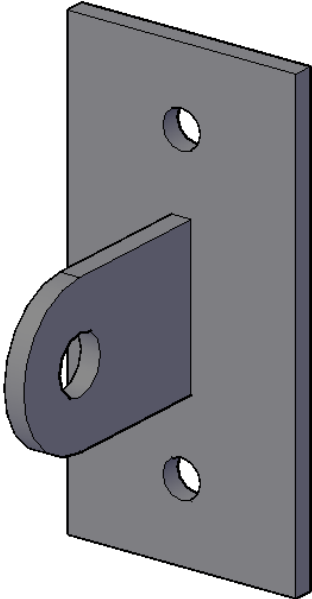
- 1. STEEL PLATE
- 2. WALL THICKNESS-1/4"



ITEM NO.	VAI-WP-TLTS
ITEM DESCRIPTION	6" TALL X 3" WIDE PLATE WITH TAB

SECTION PROPERTIES

- 1. STEEL PLATE
- 2. WALL THICKNESS-1/4"



MISCELLANEOUS

ITEM NO.

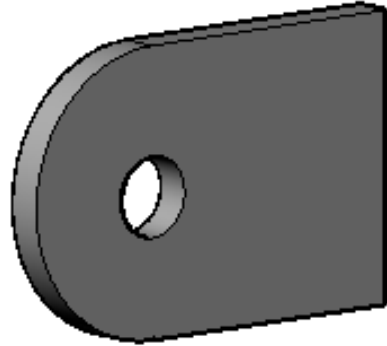
VAI-ST-TS

ITEM DESCRIPTION

STEEL STANDARD TAB

SECTION PROPERTIES

1. STEEL
2. WALL THICKNESS-3/8"



ITEM NO.

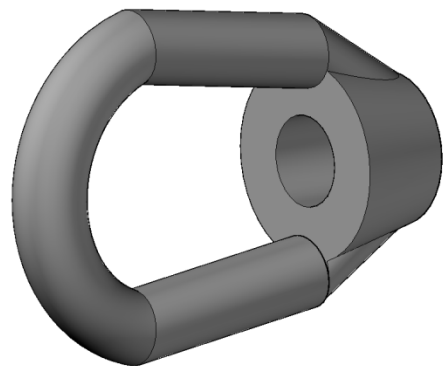
VAI-ST-EN

ITEM DESCRIPTION

STEEL STANDARD EYE-NUT

SECTION PROPERTIES

1. STEEL
2. WALL THICKNESS-5/8"



MISCELLANEOUS

ITEM NO.

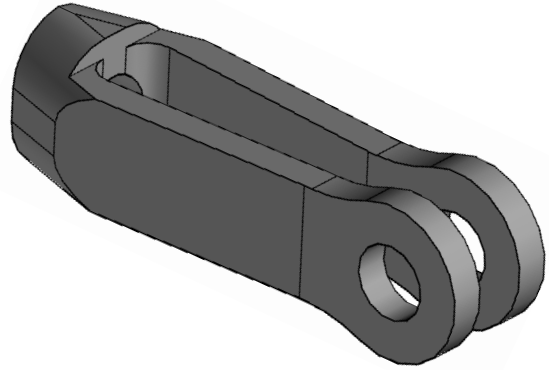
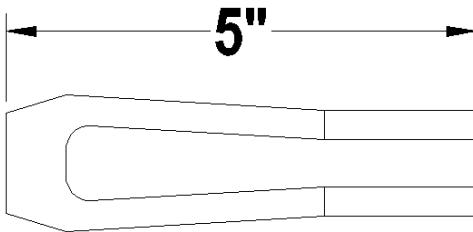
VAI-ST-CLVS

ITEM DESCRIPTION

5/8" x 5" STEEL STANDARD CLEVIS BRACKET

SECTION PROPERTIES

1. STEEL FORGED
2. WALL THICKNESS-5/8"



ITEM NO.

VAI-ST-RC

ITEM DESCRIPTION

1" STEEL ROD COVER

SECTION PROPERTIES

1. STEEL PIPE
2. WALL THICKNESS-0.060



MISCELLANEOUS

ITEM NO.	VAI-ST-THRD
ITEM DESCRIPTION	5/8" X 6" GR. 2 STEEL THREADED ROD
ITEM DESCRIPTION	5/8" X 12" GR. 2 STEEL THREADED ROD
ITEM DESCRIPTION	5/8" X 18" GR. 2 STEEL THREADED ROD

SECTION PROPERTIES

1. STEEL THREADED ROD
2. WALL THICKNESS-BASED OF CANOPY SIZE

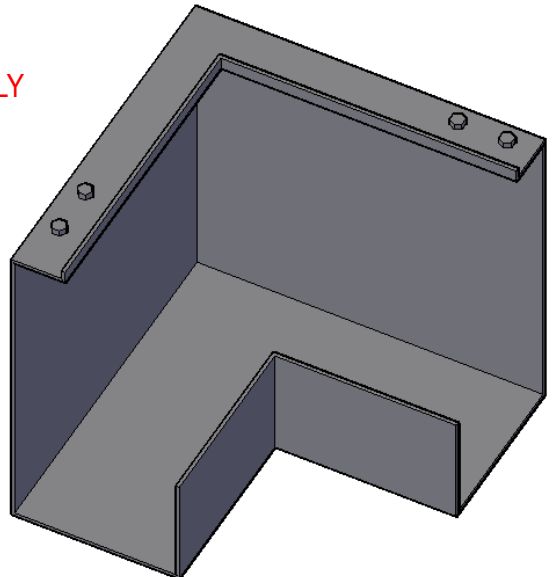


FASCIA CORNERS

ITEM NO.	VAI-RF-CNR
ITEM DESCRIPTION	VAI-ROLL FORM CORNER COVER

SECTION PROPERTIES

1. STAMPED ALUMINUM OUTSIDE CORNERS
2. FOR ROLL FORM FASCIA APPLICATIONS
3. *AVAILABLE IN WHITE, IVORY, AND DARK BRONZE ONLY



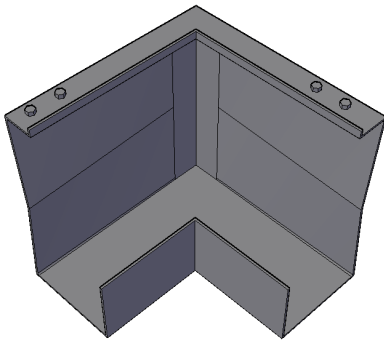
*VAI-6S-RF

FASCIA CORNERS

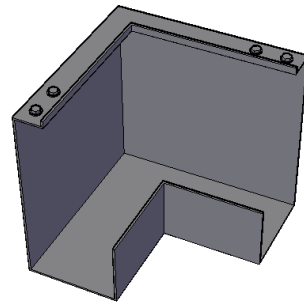
ITEM NO.	VAI-RF-CNR
ITEM DESCRIPTION	VAI-ROLL FORM CORNER COVER (VAI-6S-RF-K)
ITEM DESCRIPTION	VAI-ROLL FORM CORNER COVER (VAI-6P)
ITEM DESCRIPTION	VAI-ROLL FORM CORNER COVER (VAI-8P)
ITEM DESCRIPTION	VAI-ROLL FORM CORNER COVER (VAI-8P-4T1)

SECTION PROPERTIES

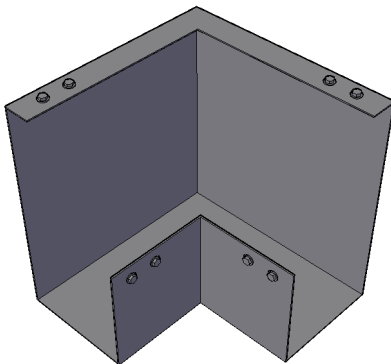
1. STAMPED ALUMINUM OUTSIDE CORNERS
2. FOR ROLL FORM FASCIA APPLICATIONS
3. *AVAILABLE IN WHITE, IVORY, AND DARK BRONZE ONLY



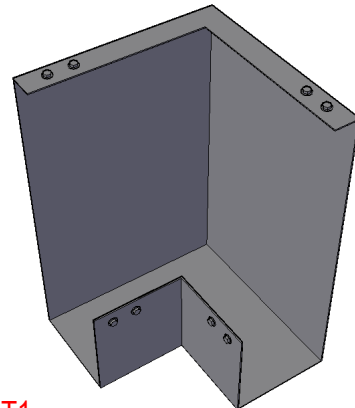
*VAI-6S-RF-K



VAI-6P



VAI-8P



VAI-8P-4T1

COLOR CHART

STANDARD COLORS



SUPER WHITE*



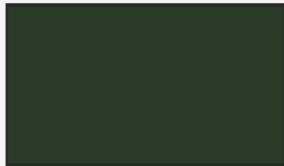
BONE WHITE



IVORY*



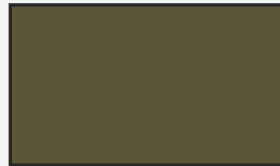
SIERRA TAN



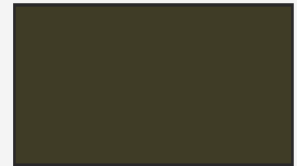
HARTFORD GREEN



BANNER RED



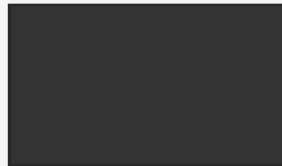
MEDIUM BRONZE



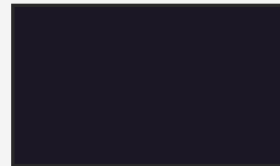
DARK BRONZE*



BURGUNDY



MATTE BLACK



GLOSS BLACK



SILVER

***STANDARD ROLL FORM PRODUCTS ONLY AVAILABLE IN THESE COLORS**
Colors shown are representations. Physical color samples are available upon request.
Premium and custom colors can be provided for an additional cost.

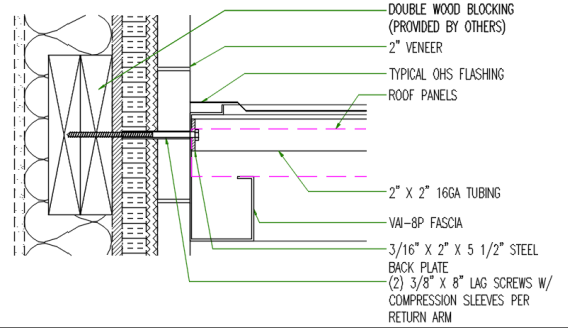
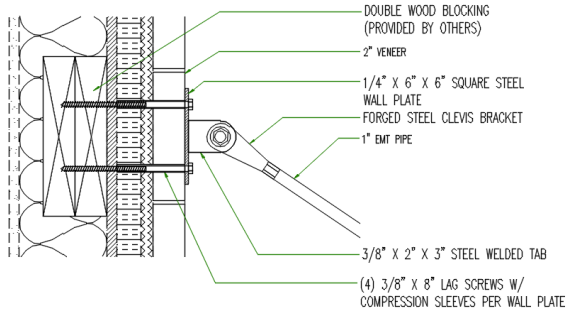
CUSTOM COLORS AVAILABLE AT ADDITIONAL CHARGE

TYPICAL ATTACHMENT DETAILS

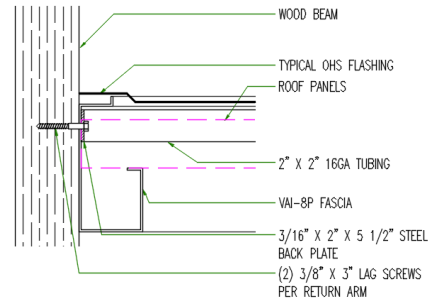
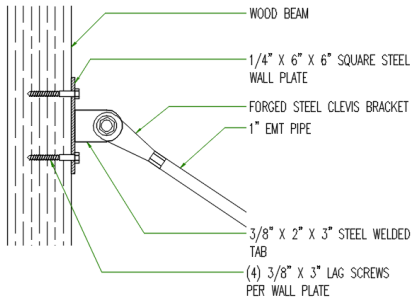
TOP ATTACHMENT

LOWER ATTACHMENT

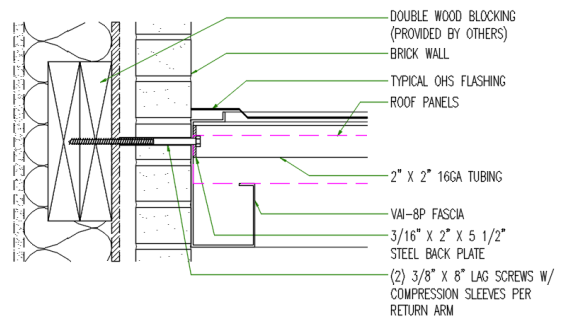
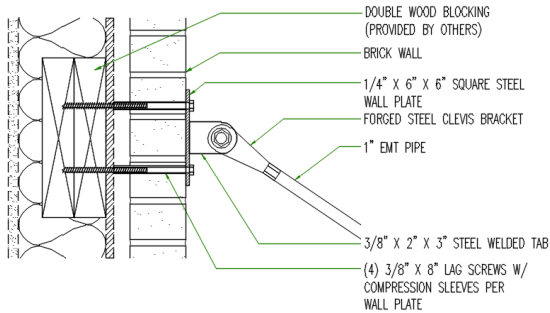
Veneer & Batt. Insulation (Wood Blocking)



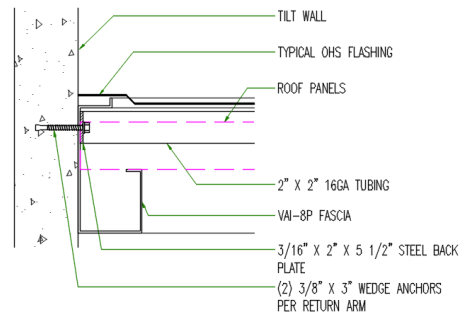
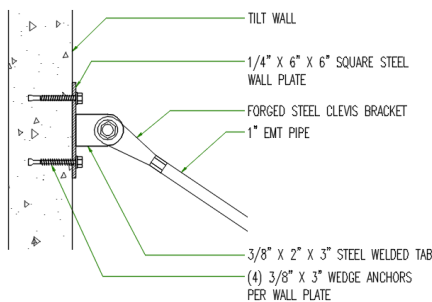
Wooden Wall



Brick Wall



Tilt Wall

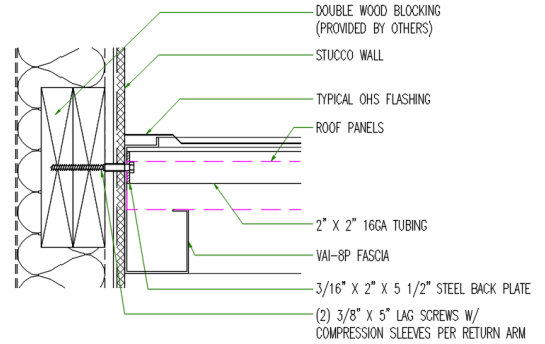
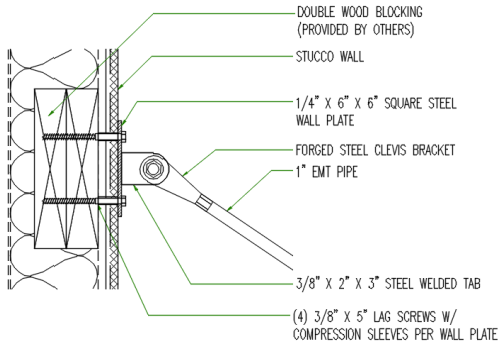


TYPICAL ATTACHMENT DETAILS (CONT.)

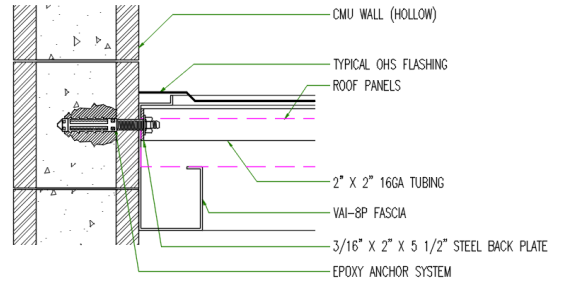
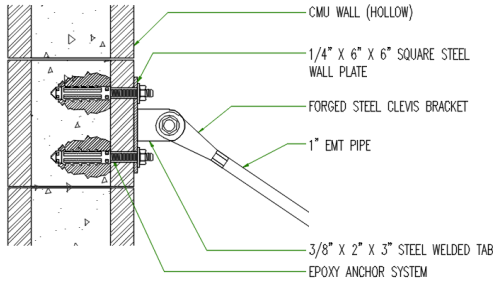
TOP ATTACHMENT

LOWER ATTACHMENT

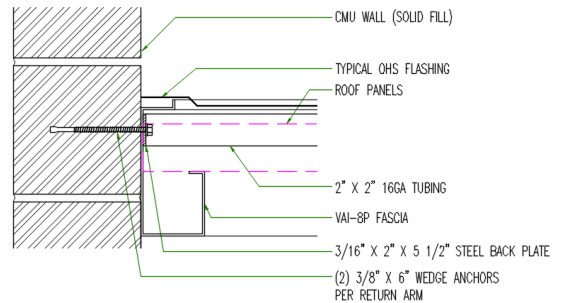
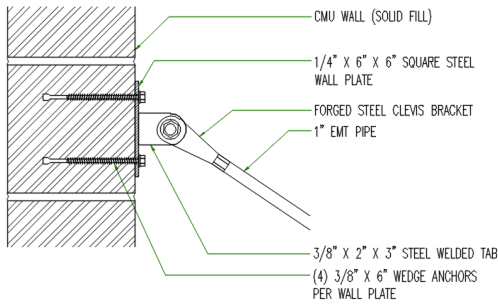
Stucco Wall



CMU (Hollow)



CMU (Solid Fill)



Steel Beam

